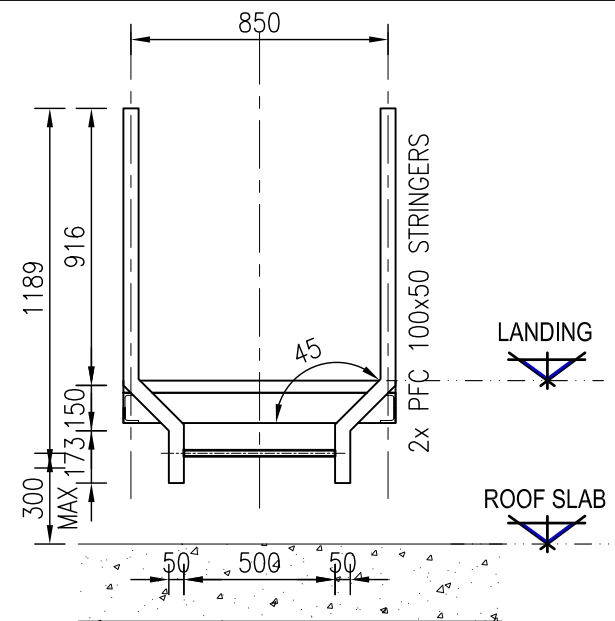
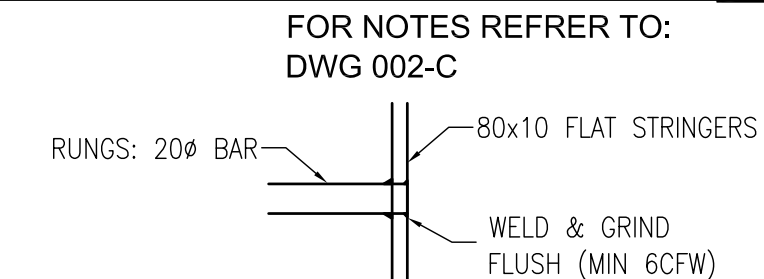


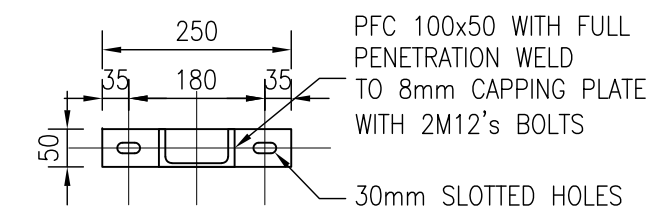
**PLAN**  
SCALE 1:25



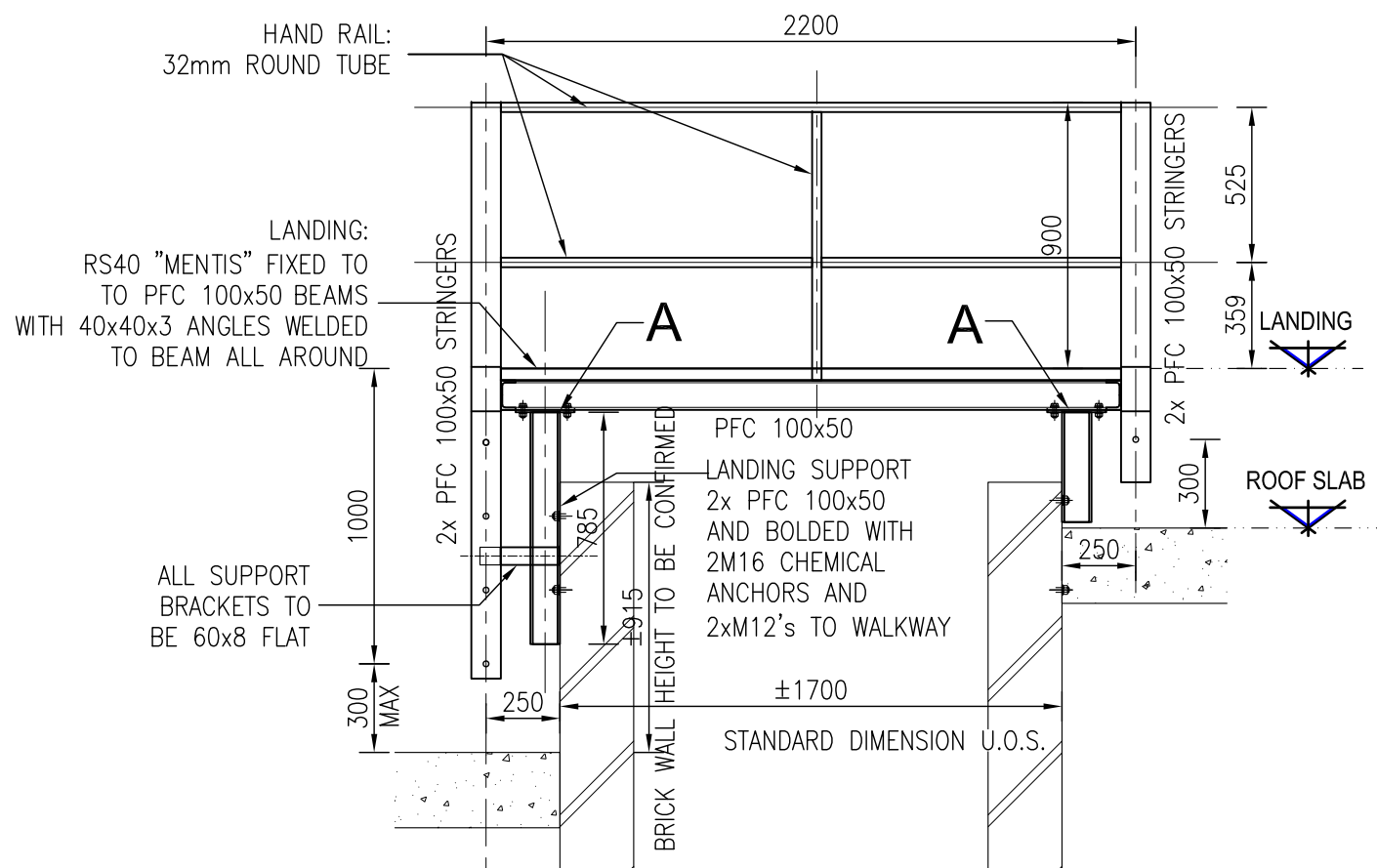
**RHS ELEVATION**  
SCALE 1:25



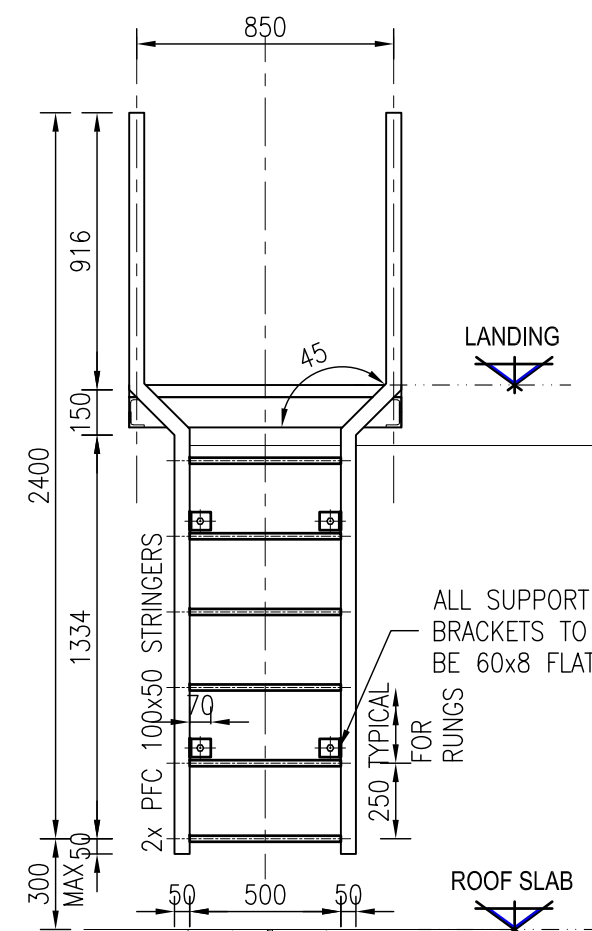
**TYPICAL RUNGS SECTION**  
SCALE 1:25



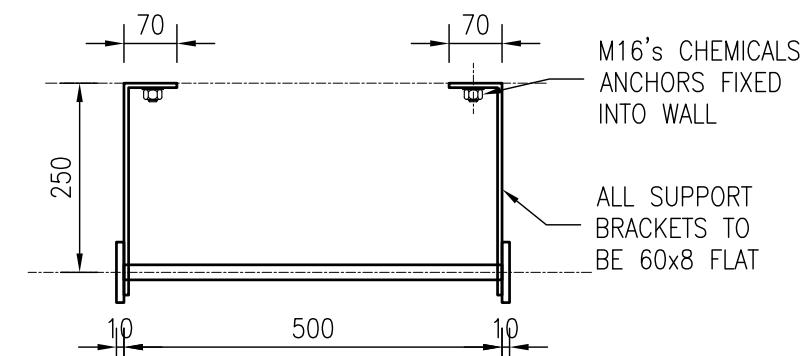
**TYPICAL CAPPING PLATE A**  
(4 No. OFF)  
SCALE 1:10



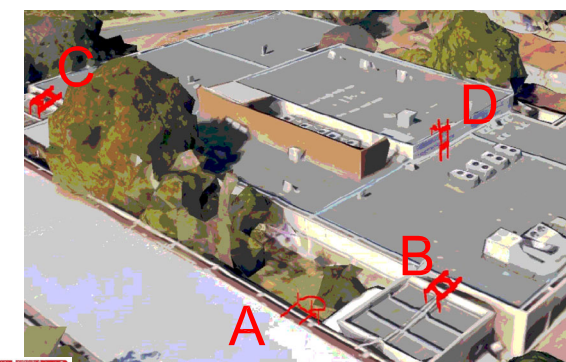
**SECTION A-A**  
SCALE 1:25



**LHS ELEVATION**  
SCALE 1:25



**TYPICAL SUPPORTING BRACKETS DETAIL**  
SCALE 1:10



**TENDER**

**KEY PLAN**



Civil Engineering • Structural Engineering • Project Management

Tel: + (27) 82 923 8349 andrej@aicadvisory.co.za  
35 Sabi Sands Crescent, Moreleta Park, Pretoria, 0181  
P.O. Box 11373, Erasmuskloof, 0048. Co Reg: 2018/582047/07

NO	DATE	REVISION
A	12. 03. 24	ISSUED FOR APPROVAL
DESIGNER		
C. GROBLER	12. 03. 24	
DETAILER		
W. K. OLIVER	12. 03. 24	A3

PROJECT  
**CSIR BUILDING 9**

DRAWING TITLE  
**CAT LADDER 9C LAYOUT AND DETAILS**

PROJECT NO  
**24208**

DRAWING No  
**009-C**

REVISION  
**A**

THESE DRAWINGS ARE TO BE READ IN CONJUNCTION WITH ALL THE RELEVANT CONSULTANTS' DRAWINGS. ALL DIMENSIONS ARE TO BE READ AND NOT SCALED. ANY DISCREPANCIES ARE TO BE REPORTED TO THE PRINCIPAL AGENT IMMEDIATELY. THESE DRAWINGS ENJOY A COPYRIGHT WHICH VESTS IN CG STRUCTURAL DESIGN SERVICES UNLESS OTHERWISE AGREED TO IN WRITING. THESE DRAWINGS MAY NOT BE REPRODUCED OR TRANSMITTED IN ANY FORM OR BY ANY MEANS WHATSOEVER TO ANY PERSON WITHOUT THE WRITTEN PERMISSION OF THE COPYRIGHT HOLDER.