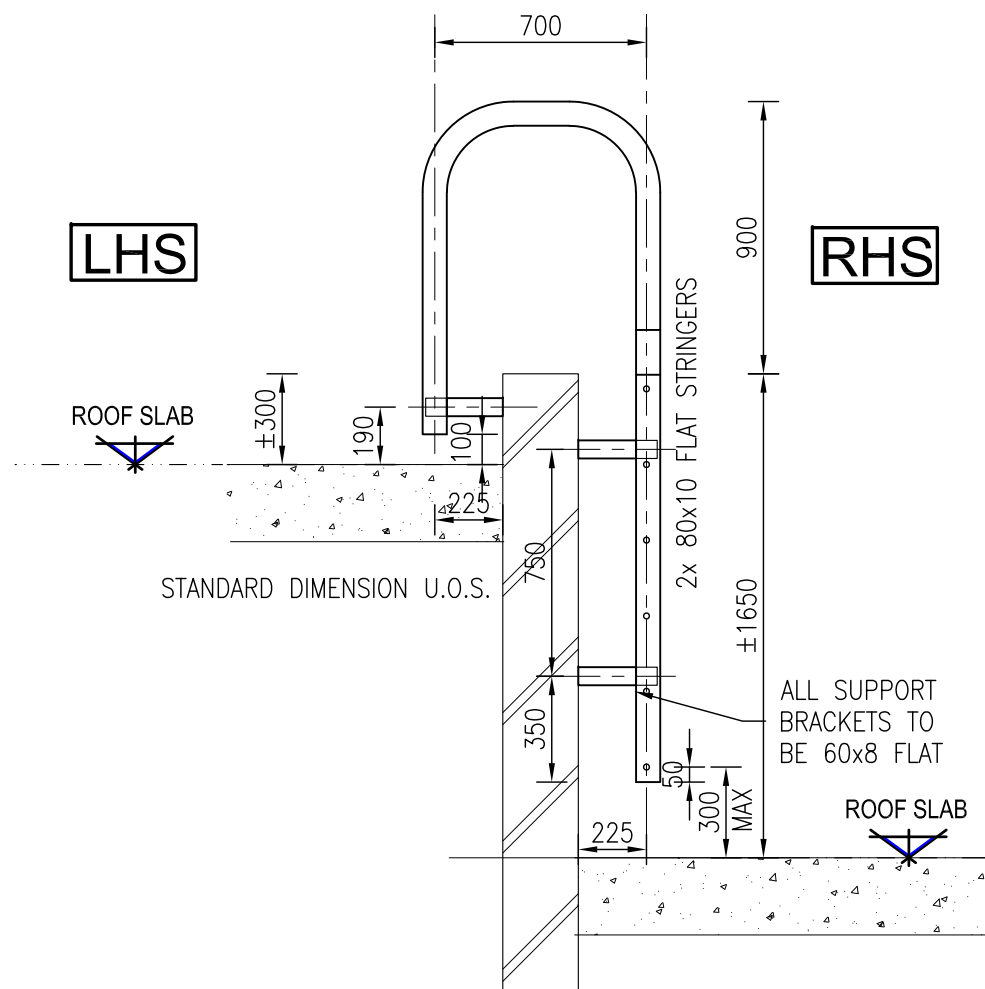
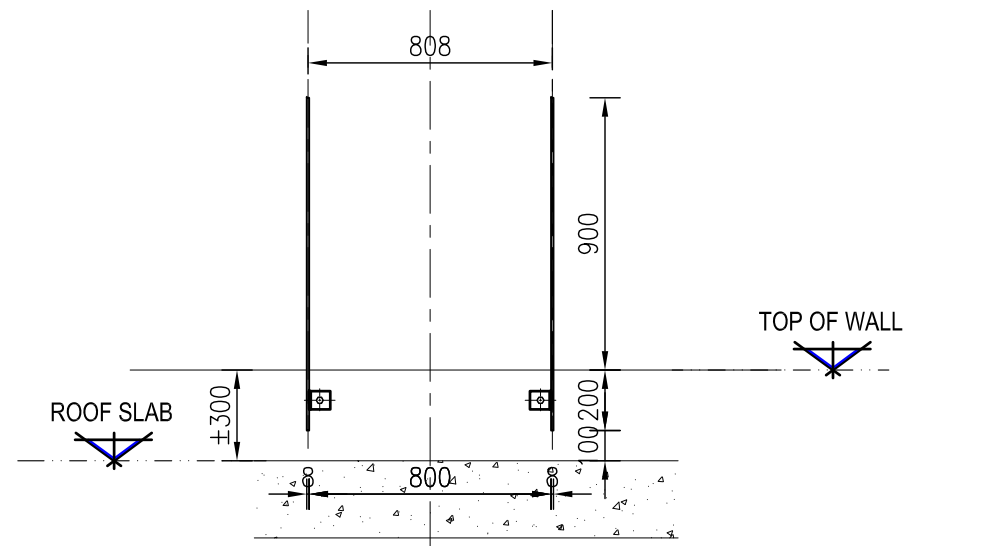


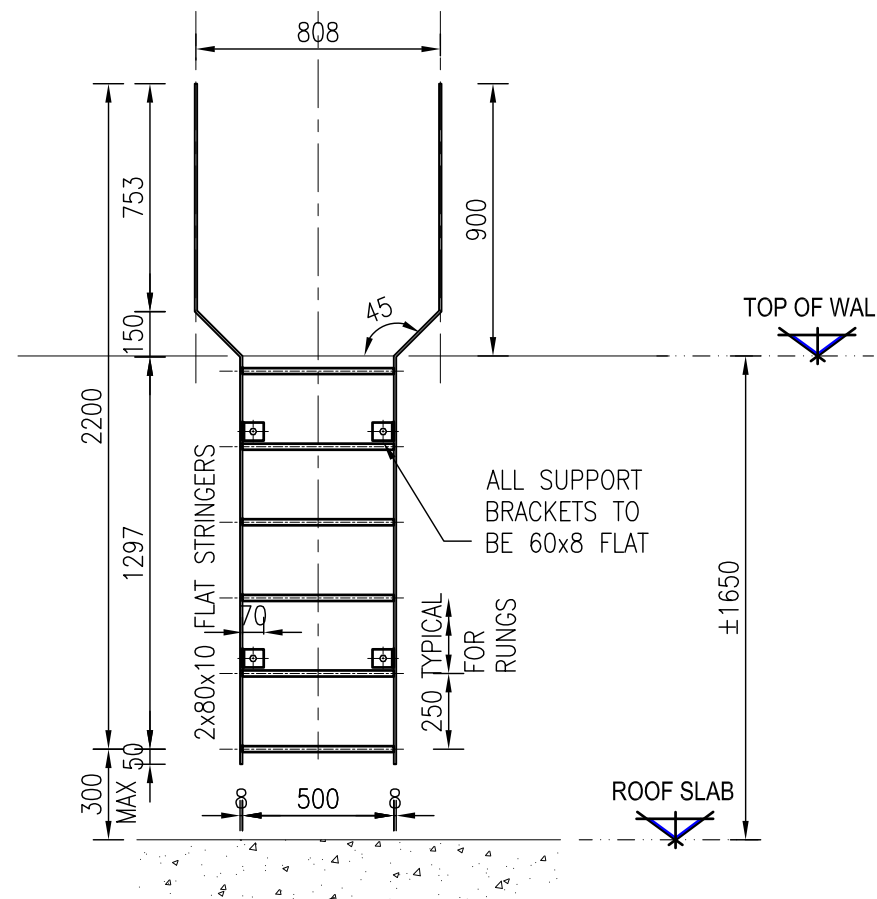
FOR NOTES REFER TO:
DWG 002-C



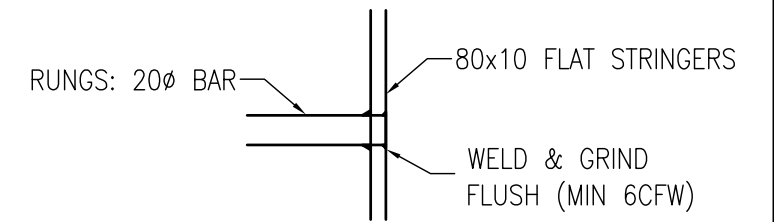
TYPICAL ELEVATION
SCALE 1:25



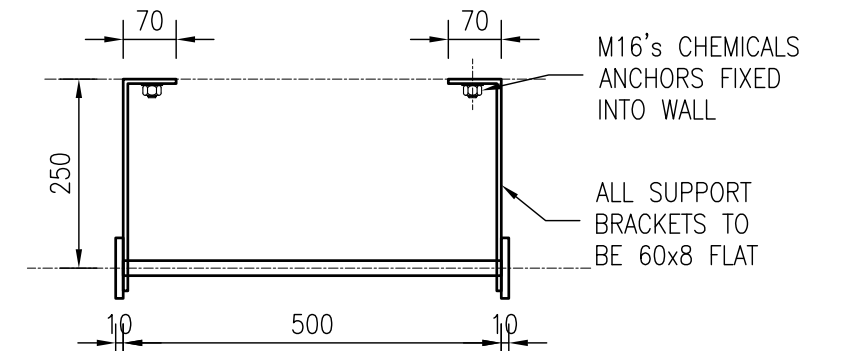
LHS ELEVATION
SCALE 1:25



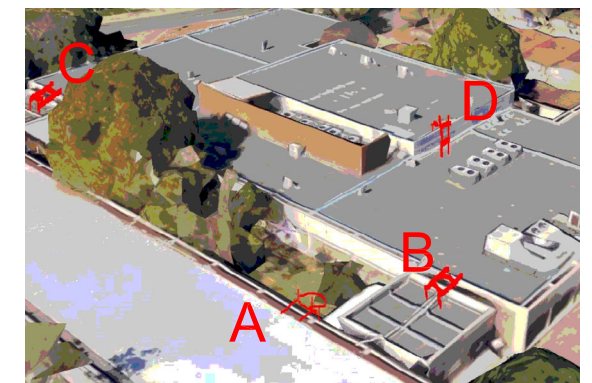
RHS ELEVATION
SCALE 1:25



TYPICAL RUNGS SECTION
SCALE 1:25



TYPICAL SUPPORTING BRACKETS DETAIL
SCALE 1:10



KEY PLAN

TENDER



Civil Engineering • Structural Engineering • Project Management
Tel: + (27) 82 923 8349 andrej@aicadvisory.co.za
35 Sabi Sands Crescent, Moreleta Park, Pretoria, 0181
P.O. Box 11373, Erasmuskloof, 0048. Co Reg: 2018/582047/07

| NO | DATE | REVISION |
|--------------------------|------------|-------------------|
| T | 12. 03. 24 | ISSUED FOR TENDER |
| DESIGNER C. GROBLER | | |
| | 12. 03. 24 | |
| DETAILER W. K. OLIVER | | |
| | 12. 03. 24 | A3 |

PROJECT
CSIR BUILDING 9

DRAWING TITLE
CAT LADDER 9D LAYOUT AND DETAILS

| | | |
|----------------------------|----------------------------|----------------------|
| PROJECT NO 24208 | DRAWING No 009-D | REVISION T |
|----------------------------|----------------------------|----------------------|

THESE DRAWINGS ARE TO BE READ IN CONJUNCTION WITH ALL THE RELEVANT CONSULTANTS' DRAWINGS. ALL DIMENSIONS ARE TO BE READ AND NOT SCALED. ANY DISCREPANCIES ARE TO BE REPORTED TO THE PRINCIPAL AGENT IMMEDIATELY. THESE DRAWINGS ENJOY A COPYRIGHT WHICH VESTS IN CG STRUCTURAL DESIGN SERVICES UNLESS OTHERWISE AGREED TO IN WRITING. THESE DRAWINGS MAY NOT BE REPRODUCED OR TRANSMITTED IN ANY FORM OR BY ANY MEANS WHATSOEVER TO ANY PERSON WITHOUT THE WRITTEN PERMISSION OF THE COPYRIGHT HOLDER.