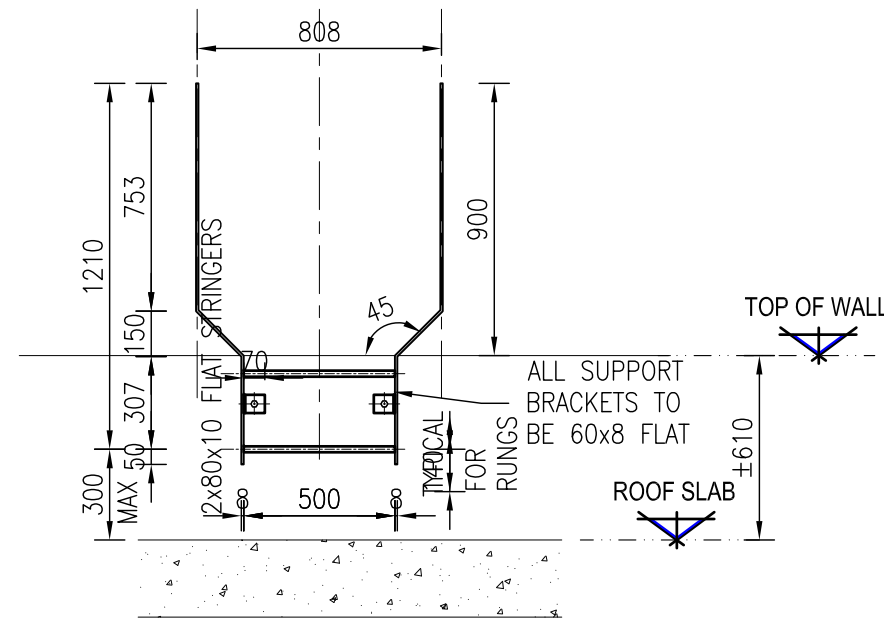
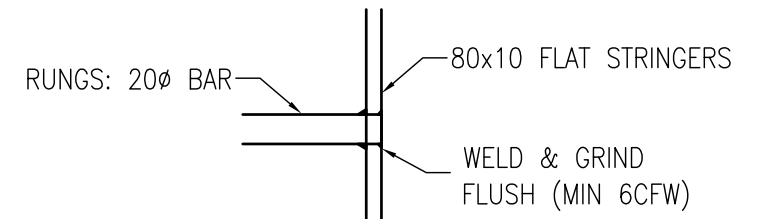


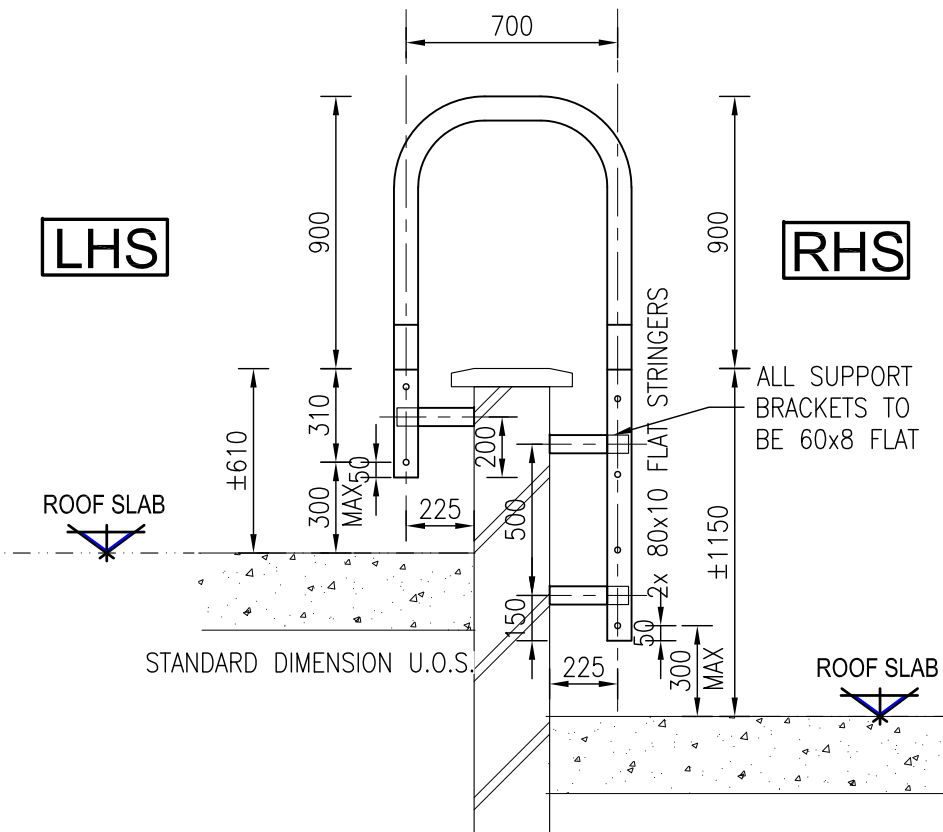
FOR NOTES REFER TO:
DWG 002-C



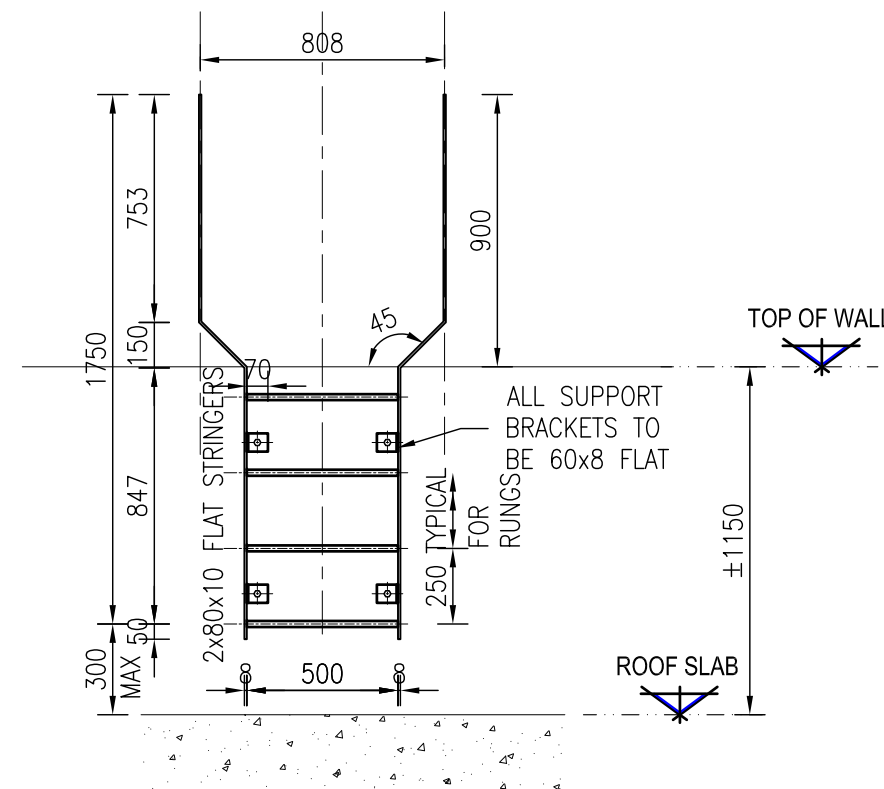
LHS ELEVATION
SCALE 1:25



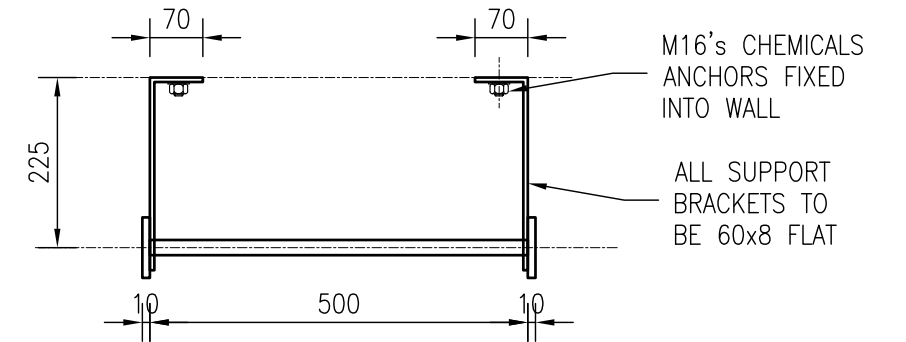
TYPICAL RUNGS SECTION
SCALE 1:25



TYPICAL ELEVATION
SCALE 1:25



RHS ELEVATION
SCALE 1:25



TYPICAL SUPPORTING BRACKETS DETAIL
SCALE 1:10



KEY PLAN

TENDER



Civil Engineering • Structural Engineering • Project Management

Tel: + (27) 82 923 8349 andrei@ajcadvicory.co.za
35 Sabi Sands Crescent, Moreleta Park, Pretoria, 0181
P.O. Box 11373, Erasmuskloof, 0048. Co Reg: 2018/582047/07

NO	DATE	REVISION
T	12. 03. 24	ISSUED FOR TENDER
DESIGNER		
C. GROBLER	12. 03. 24	
DETAILER		
W. K. OLIVER	12. 03. 24	A3

PROJECT
**CSIR
BUILDING 10**

DRAWING TITLE
**CAT LADDER 10B
LAYOUT AND DETAILS**

PROJECT NO 24208	DRAWING No 010-B	REVISION T
----------------------------	----------------------------	----------------------

THESE DRAWINGS ARE TO BE READ IN CONJUNCTION WITH ALL THE RELEVANT CONSULTANTS' DRAWINGS. ALL DIMENSIONS ARE TO BE READ AND NOT SCALED. ANY DISCREPANCIES ARE TO BE REPORTED TO THE PRINCIPAL AGENT IMMEDIATELY. THESE DRAWINGS ENJOY A COPYRIGHT WHICH VESTS IN CG STRUCTURAL DESIGN SERVICES UNLESS OTHERWISE AGREED TO IN WRITING. THESE DRAWINGS MAY NOT BE REPRODUCED OR TRANSMITTED IN ANY FORM OR BY ANY MEANS WHATSOEVER TO ANY PERSON WITHOUT THE WRITTEN PERMISSION OF THE COPYRIGHT HOLDER.