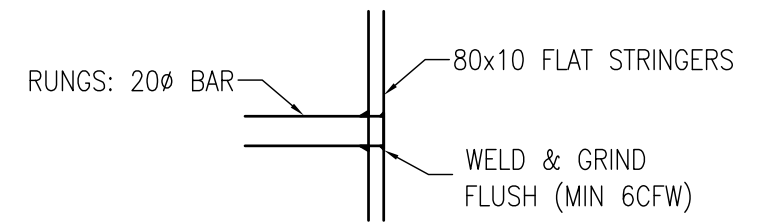
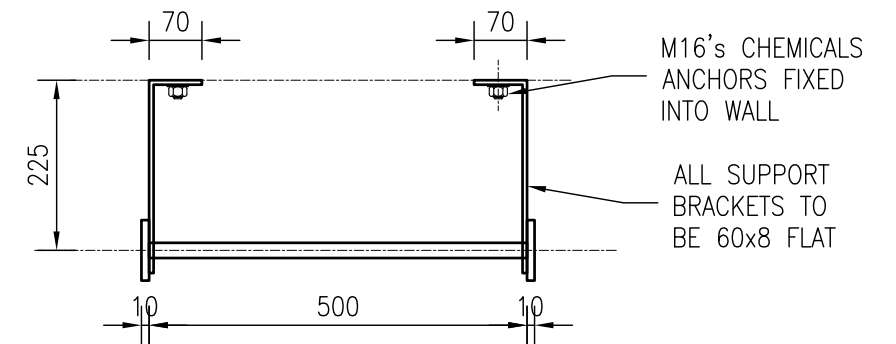


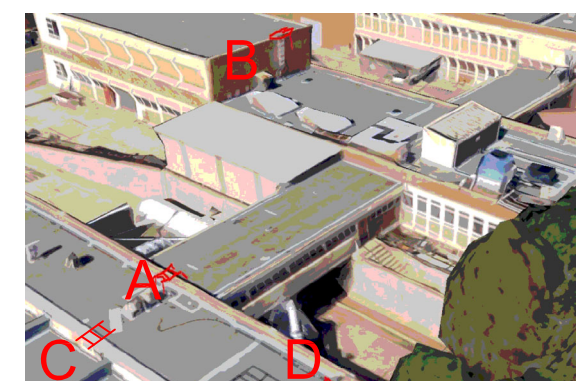
FOR NOTES REFER TO:
DWG 002-C



TYPICAL RUNGS SECTION
SCALE 1:25



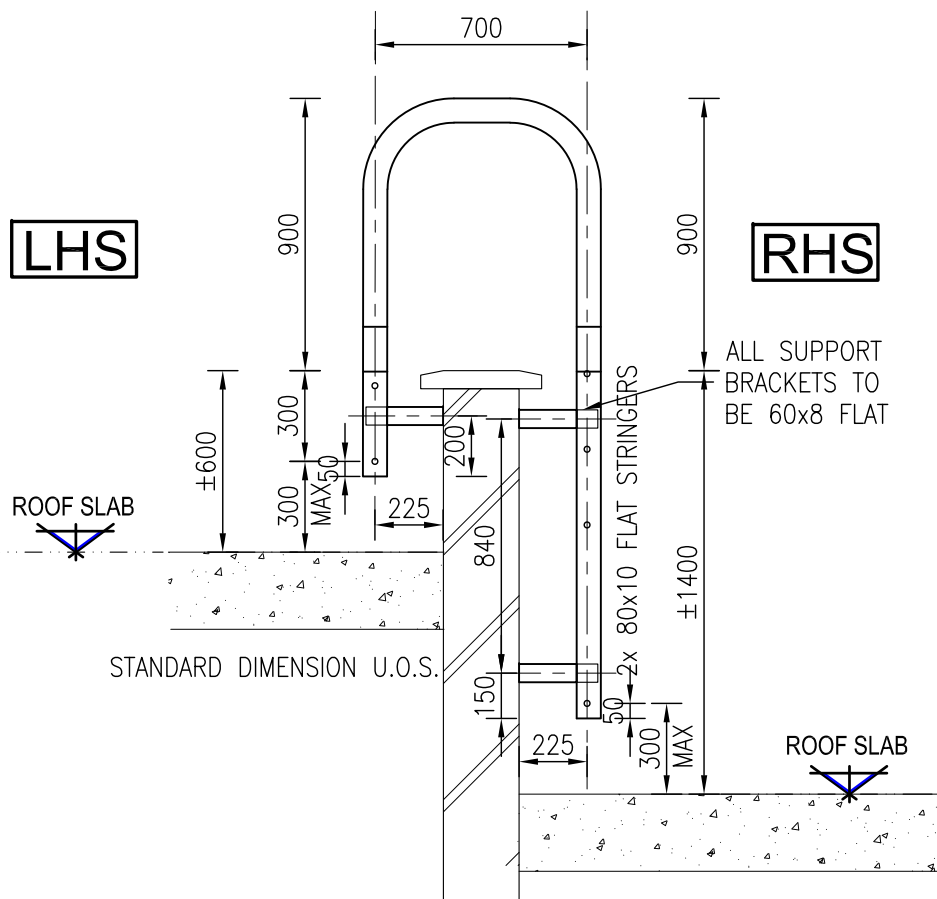
TYPICAL SUPPORTING BRACKETS DETAIL
SCALE 1:10



KEY PLAN

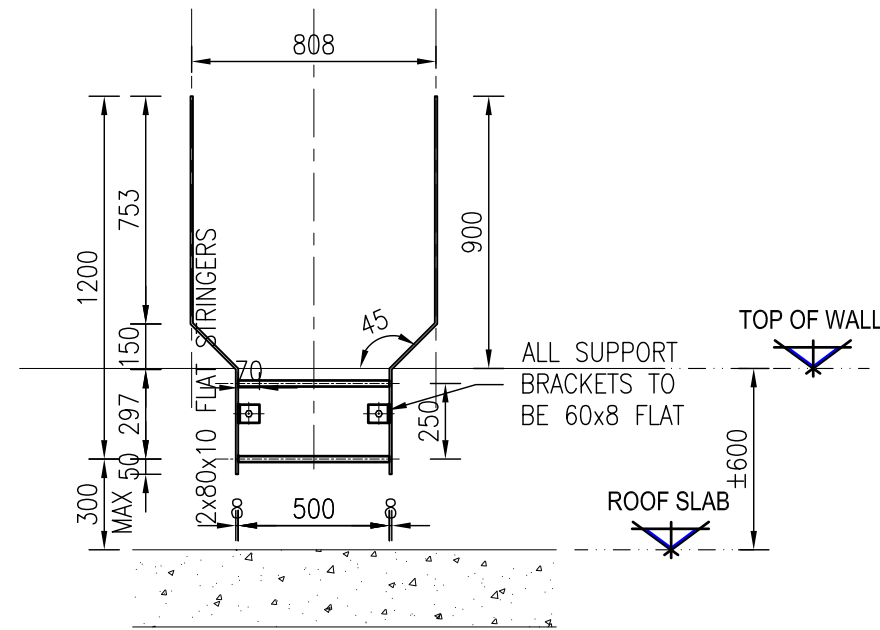
TENDER

LHS

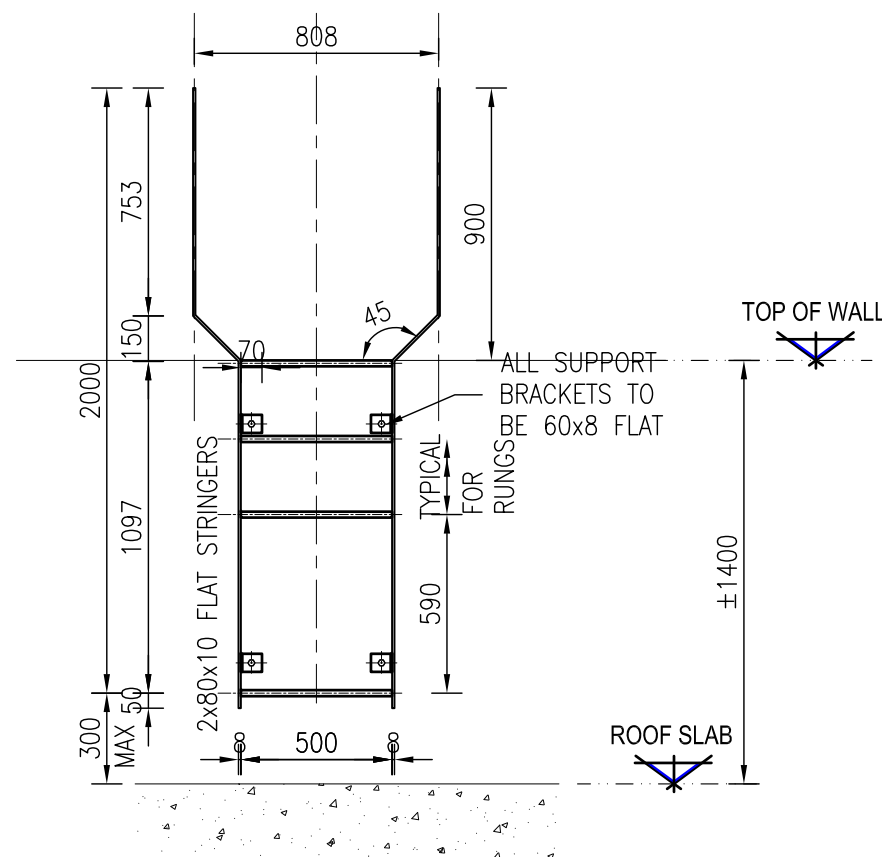


TYPICAL ELEVATION
SCALE 1:25

RHS



LHS ELEVATION
SCALE 1:25



RHS ELEVATION
SCALE 1:25

Civil Engineering • Structural Engineering • Project Management

Tel: + (27) 82 923 8349 andrej@ajcadvisory.co.za
35 Sabi Sands Crescent, Moreleta Park, Pretoria, 0181
P.O. Box 11373, Erasmuskloof, 0048. Co Reg: 2018/582047/07

NO	DATE	REVISION
T	12. 03. 24	ISSUED FOR TENDER
DESIGNER C. GROBLER		
DETAILER W. K. OLIVER		
	12. 03. 24	A3
	12. 03. 24	

PROJECT
CSIR BUILDING 12

DRAWING TITLE
CAT LADDER 12C LAYOUT AND DETAILS

PROJECT NO 24208	DRAWING No 012-C	REVISION T
----------------------------	----------------------------	----------------------

THESE DRAWINGS ARE TO BE READ IN CONJUNCTION WITH ALL THE RELEVANT CONSULTANTS' DRAWINGS. ALL DIMENSIONS ARE TO BE READ AND NOT SCALED. ANY DISCREPANCIES ARE TO BE REPORTED TO THE PRINCIPAL AGENT IMMEDIATELY. THESE DRAWINGS ENJOY A COPYRIGHT WHICH VESTS IN CG STRUCTURAL DESIGN SERVICES UNLESS OTHERWISE AGREED TO IN WRITING. THESE DRAWINGS MAY NOT BE REPRODUCED OR TRANSMITTED IN ANY FORM OR BY ANY MEANS WHATSOEVER TO ANY PERSON WITHOUT THE WRITTEN PERMISSION OF THE COPYRIGHT HOLDER.