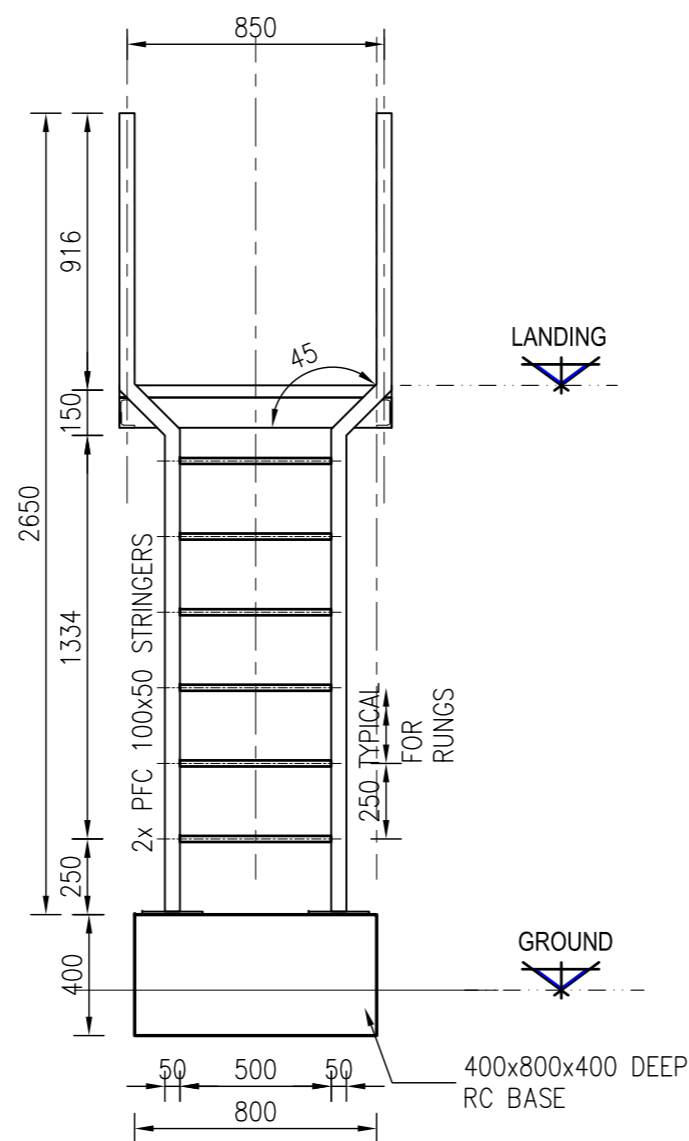
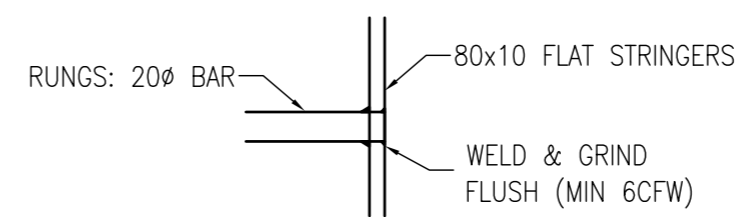


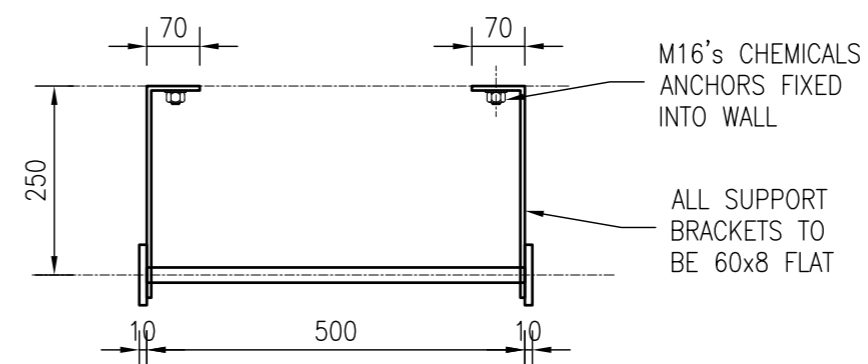
TYPICAL ELEVATION
SCALE 1:25



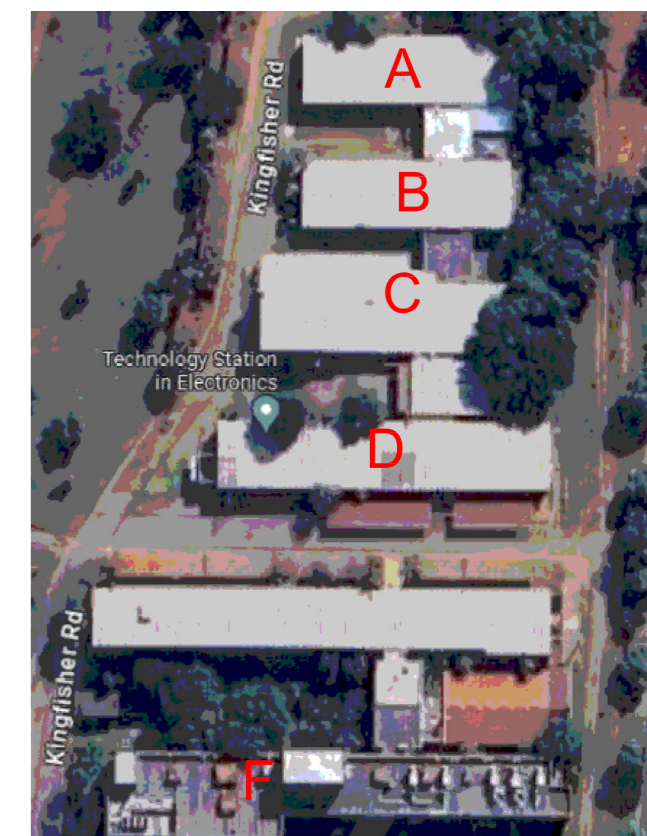
SECTION A-A
SCALE 1:10



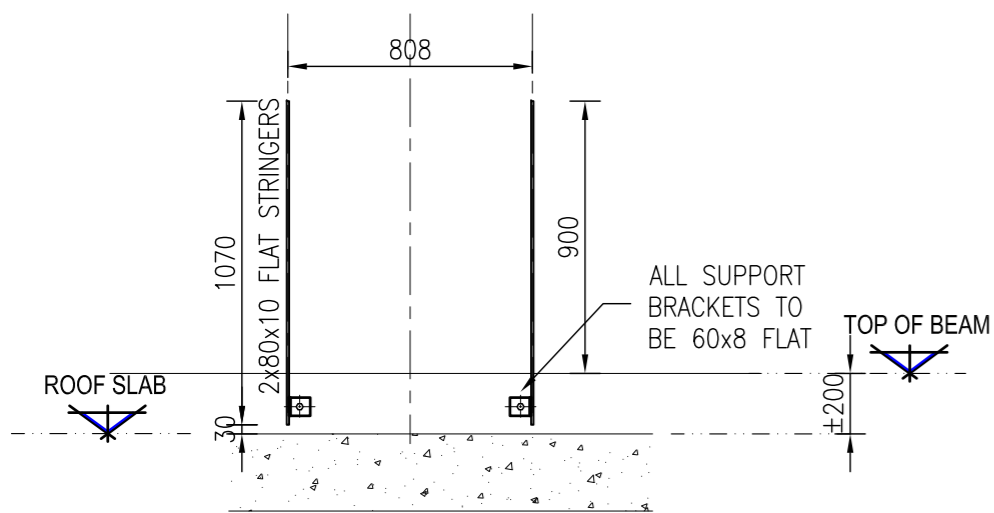
TYPICAL RUNGS SECTION
SCALE 1:25



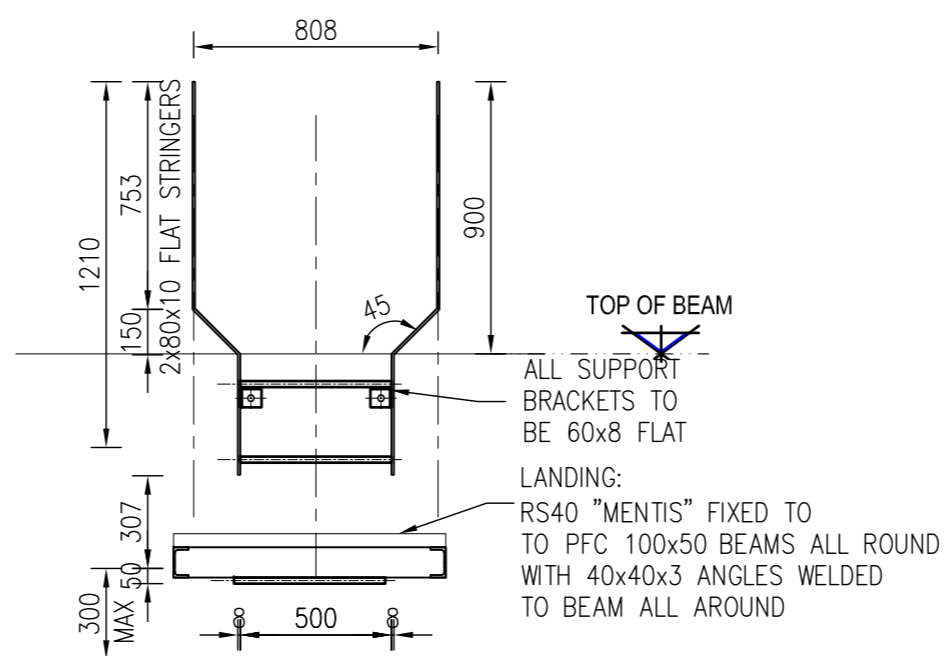
TYPICAL SUPPORTING BRACKETS DETAIL
SCALE 1:10



KEY PLAN



LHS ELEVATION
SCALE 1:25



RHS ELEVATION
SCALE 1:25

NO	DATE	REVISION
T	12. 03. 24	ISSUED FOR TENDER
DESIGNER	C. GROBLER	12. 03. 24
DETAILER	W. K. OLIVER	12. 03. 24
		A2

apc
advisory
services
Civil Engineering • Structural Engineering • Project Management
Tel + (27) 82 923 8349 and@apcadvisory.co.za
35 Sabi Sands Crescent, Midrand Park, Pretoria, 0181
P.O. Box 11373, Erasmuskoof, 0048. Co Reg: 2018/582047/07

PROJECT
**CSIR
BUILDING 14**

DRAWING TITLE
**CAT LADDER 14C
LAYOUT & DETAILS**

PROJECT NO	DRAWING No	REVISION
24208	014-C	T

TENDER

THESE DRAWINGS ARE TO BE READ IN CONJUNCTION WITH ALL THE RELEVANT CONSULTANTS' DRAWINGS. ALL DIMENSIONS ARE TO BE READ AND NOT SCALED. ANY DISCREPANCIES ARE TO BE REPORTED TO THE PRINCIPAL AGENT IMMEDIATELY. THESE DRAWINGS ENJOY A COPYRIGHT WHICH VESTS IN CG STRUCTURAL DESIGN SERVICES UNLESS OTHERWISE AGREED TO IN WRITING. THESE DRAWINGS MAY NOT BE REPRODUCED OR TRANSMITTED IN ANY FORM OR BY ANY MEANS WHATSOEVER TO ANY PERSON WITHOUT THE WRITTEN PERMISSION OF THE COPYRIGHT HOLDER.