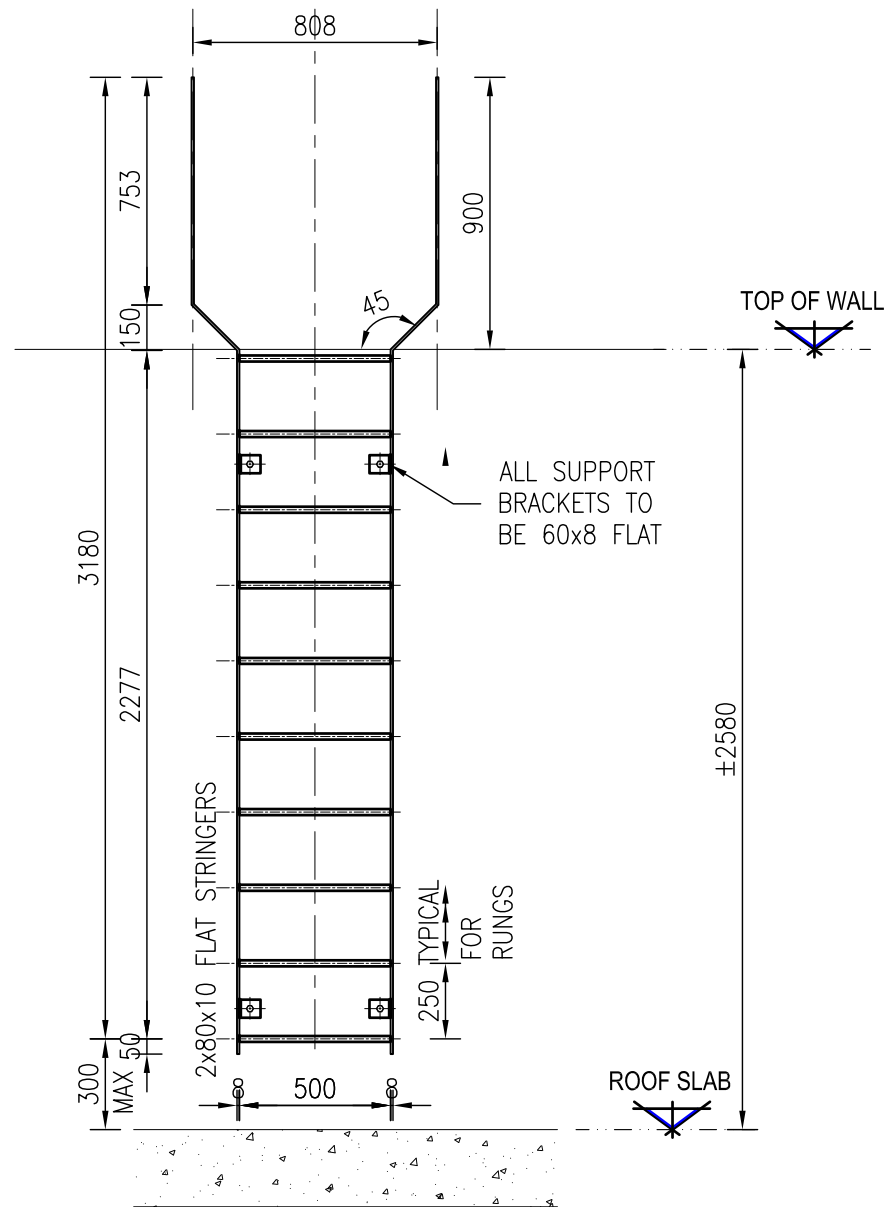
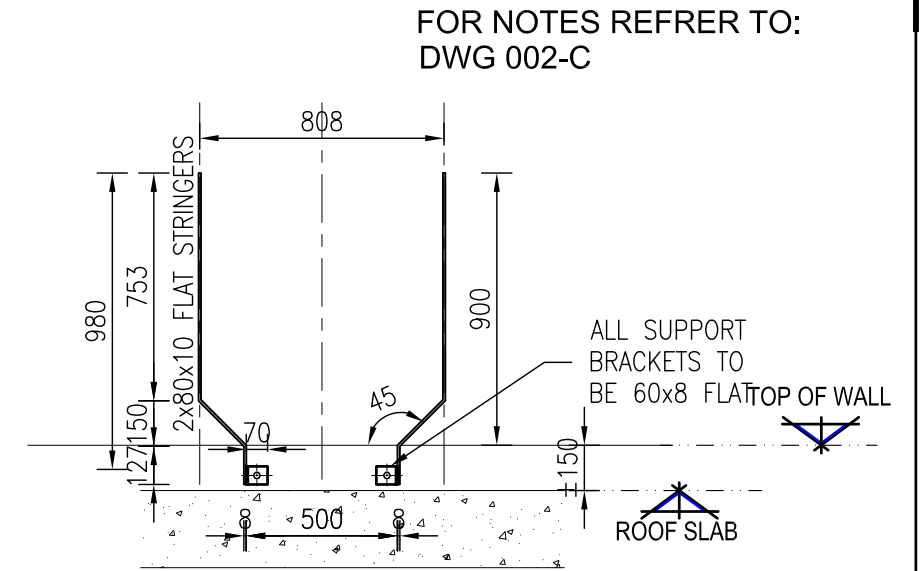


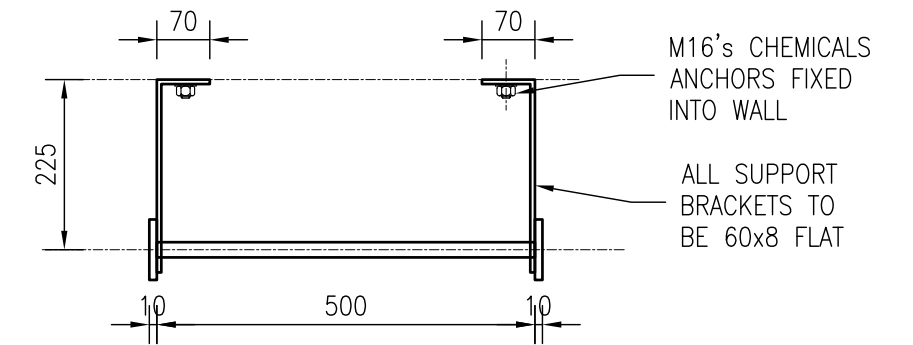
TYPICAL RUNGS SECTION
SCALE 1:25



RHS ELEVATION
SCALE 1:25



LHS ELEVATION
SCALE 1:25

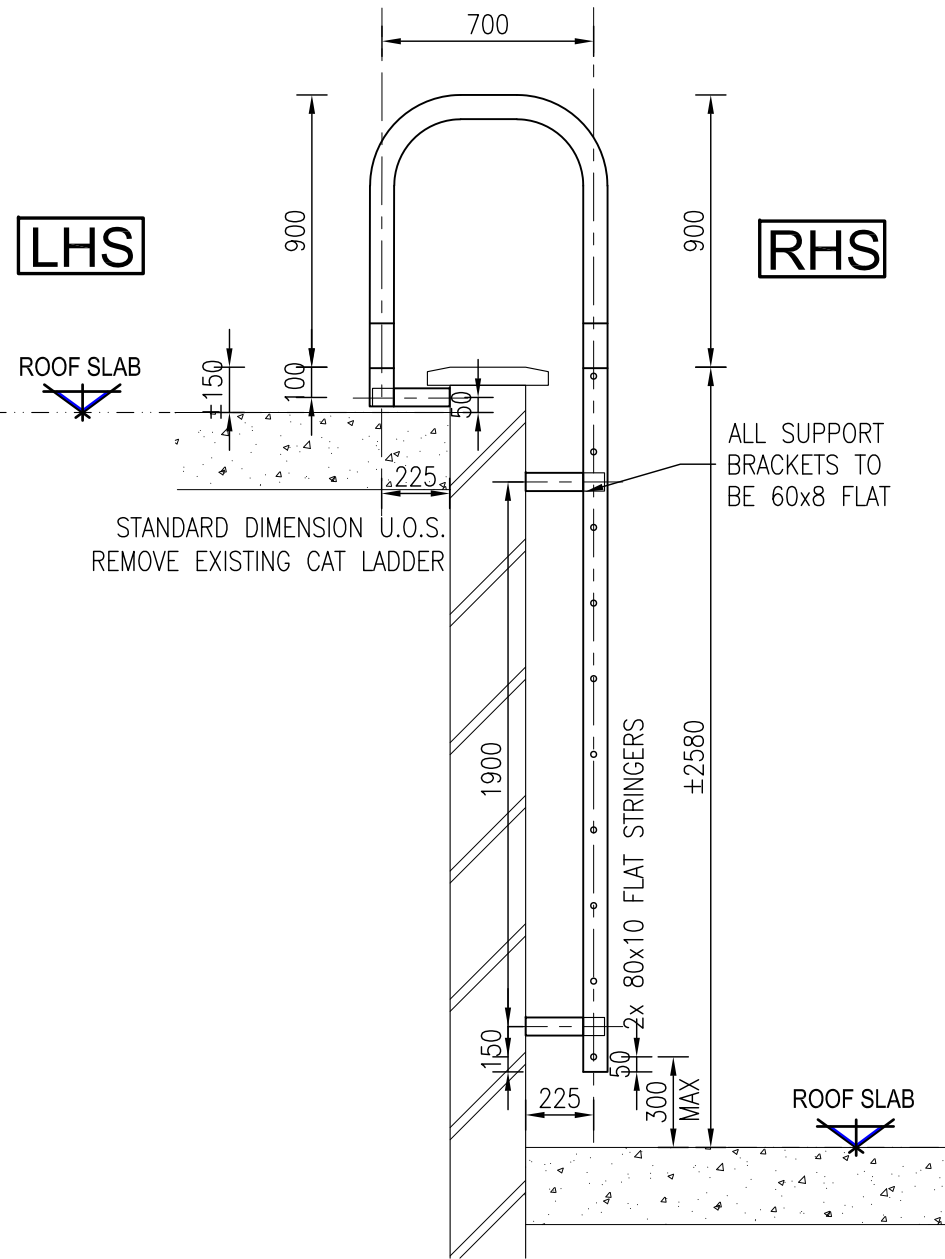


TYPICAL SUPPORTING BRACKETS DETAIL
SCALE 1:10



KEY PLAN

TENDER



TYPICAL ELEVATION
SCALE 1:25



Civil Engineering • Structural Engineering • Project Management

Tel: + (27) 82 923 8349 andrej@ajcadv.com
35 Sabi Sands Crescent, Moreleta Park, Pretoria, 0181
P.O. Box 11373, Erasmuskoof, 0048. Co Reg: 2018/582047/07

NO	DATE	REVISION
T	12. 03. 24	ISSUED FOR TENDER
DESIGNER		
C. GROBLER	12. 03. 24	
DETAILER		
W. K. OLIVER	12. 03. 24	A3

PROJECT
CSIR BUILDING 15

DRAWING TITLE
CAT LADDER 15A LAYOUT AND DETAILS

PROJECT NO
24208

DRAWING No
015-A

REVISION
T

THESE DRAWINGS ARE TO BE READ IN CONJUNCTION WITH ALL THE RELEVANT CONSULTANTS' DRAWINGS. ALL DIMENSIONS ARE TO BE READ AND NOT SCALED. ANY DISCREPANCIES ARE TO BE REPORTED TO THE PRINCIPAL AGENT IMMEDIATELY. THESE DRAWINGS ENJOY A COPYRIGHT WHICH VESTS IN CG STRUCTURAL DESIGN SERVICES UNLESS OTHERWISE AGREED TO IN WRITING. THESE DRAWINGS MAY NOT BE REPRODUCED OR TRANSMITTED IN ANY FORM OR BY ANY MEANS WHATSOEVER TO ANY PERSON WITHOUT THE WRITTEN PERMISSION OF THE COPYRIGHT HOLDER.