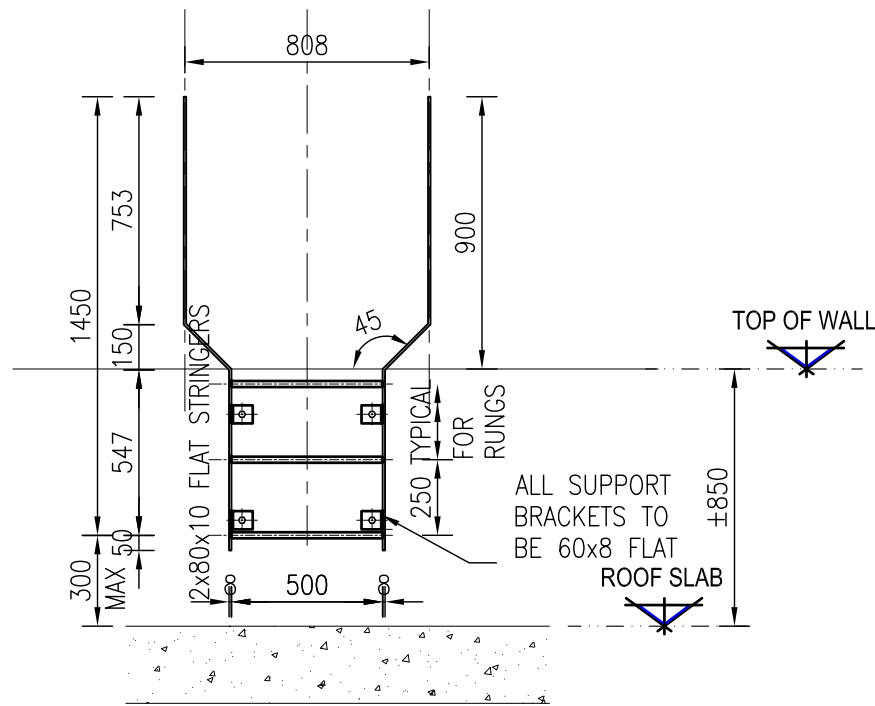
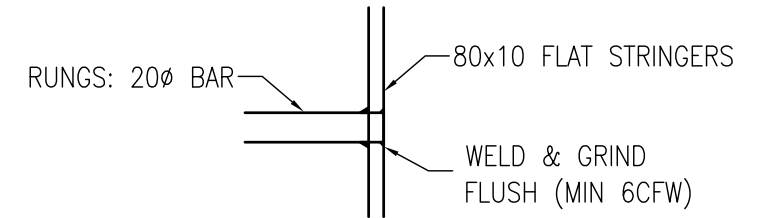


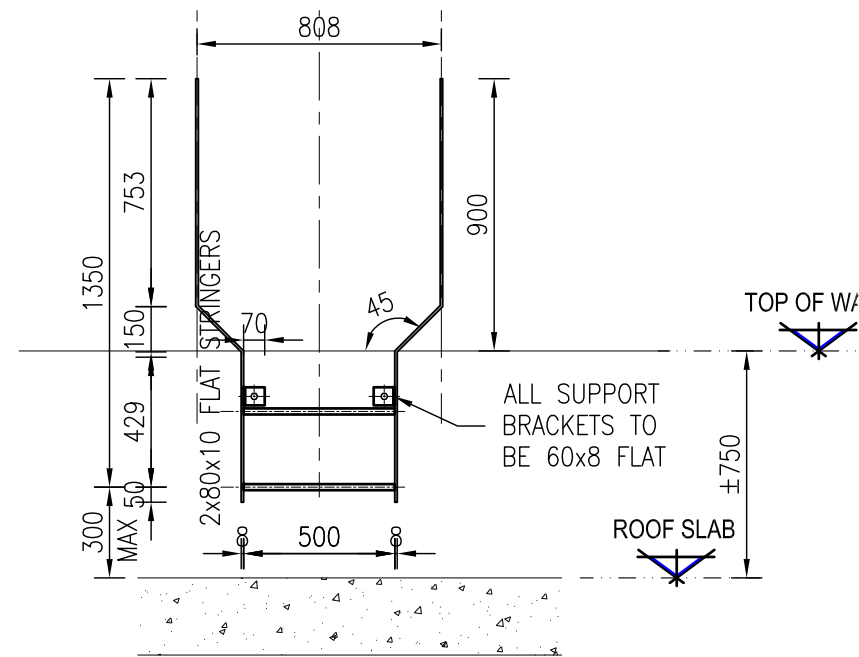
FOR NOTES REFER TO:  
DWG 002-C



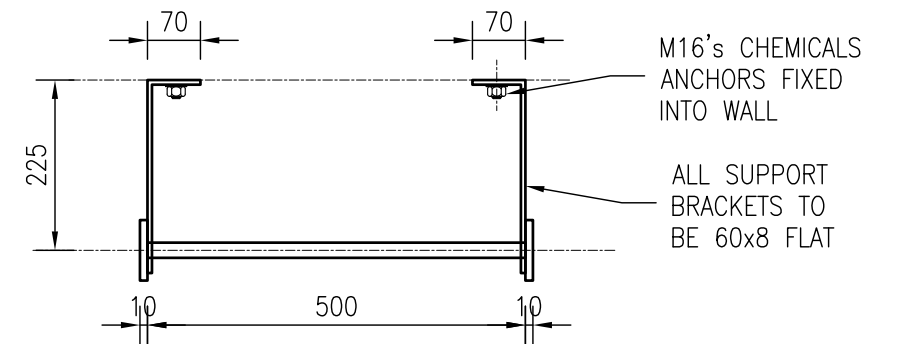
**LHS ELEVATION**  
SCALE 1:25



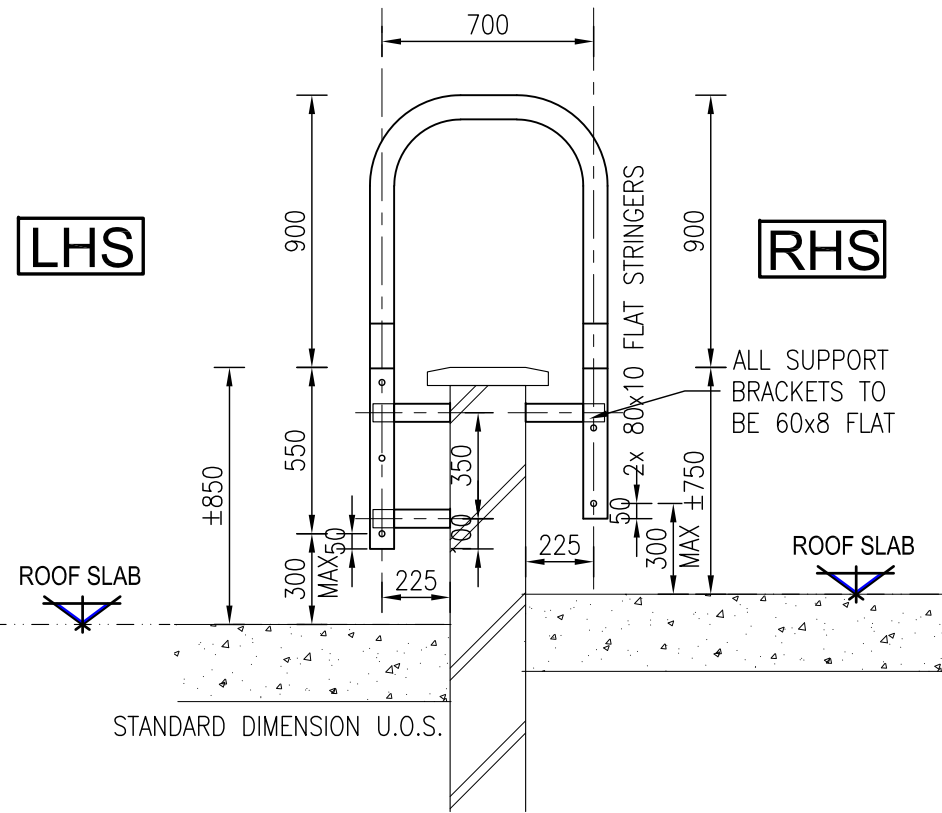
**TYPICAL RUNGS SECTION**  
SCALE 1:25



**RHS ELEVATION**  
SCALE 1:25



**TYPICAL SUPPORTING BRACKETS DETAIL**  
SCALE 1:10



**TYPICAL ELEVATION**  
SCALE 1:25



**KEY PLAN**

**TENDER**



Civil Engineering • Structural Engineering • Project Management  
Tel: + (27) 82 923 8349 andraj@ajcadv.com  
35 Sabi Sands Crescent, Moreleta Park, Pretoria, 0181  
P.O. Box 11373, Erasmuskoof, 0048. Co Reg: 2018/582047/07

NO	DATE	REVISION
T	12. 03. 24	ISSUED FOR TENDER
DESIGNER		
C. GROBLER	12. 03. 24	
DETAILER		
W. K. OLIVER	12. 03. 24	A3

PROJECT  
**CSIR BUILDING 16**

DRAWING TITLE  
**CAT LADDER 16A LAYOUT AND DETAILS**

PROJECT NO <b>24208</b>	DRAWING No <b>016-A</b>	REVISION <b>T</b>
----------------------------	----------------------------	----------------------

THESE DRAWINGS ARE TO BE READ IN CONJUNCTION WITH ALL THE RELEVANT CONSULTANTS' DRAWINGS. ALL DIMENSIONS ARE TO BE READ AND NOT SCALED. ANY DISCREPANCIES ARE TO BE REPORTED TO THE PRINCIPAL AGENT IMMEDIATELY. THESE DRAWINGS ENJOY A COPYRIGHT WHICH VESTS IN CG STRUCTURAL DESIGN SERVICES UNLESS OTHERWISE AGREED TO IN WRITING. THESE DRAWINGS MAY NOT BE REPRODUCED OR TRANSMITTED IN ANY FORM OR BY ANY MEANS WHATSOEVER TO ANY PERSON WITHOUT THE WRITTEN PERMISSION OF THE COPYRIGHT HOLDER.