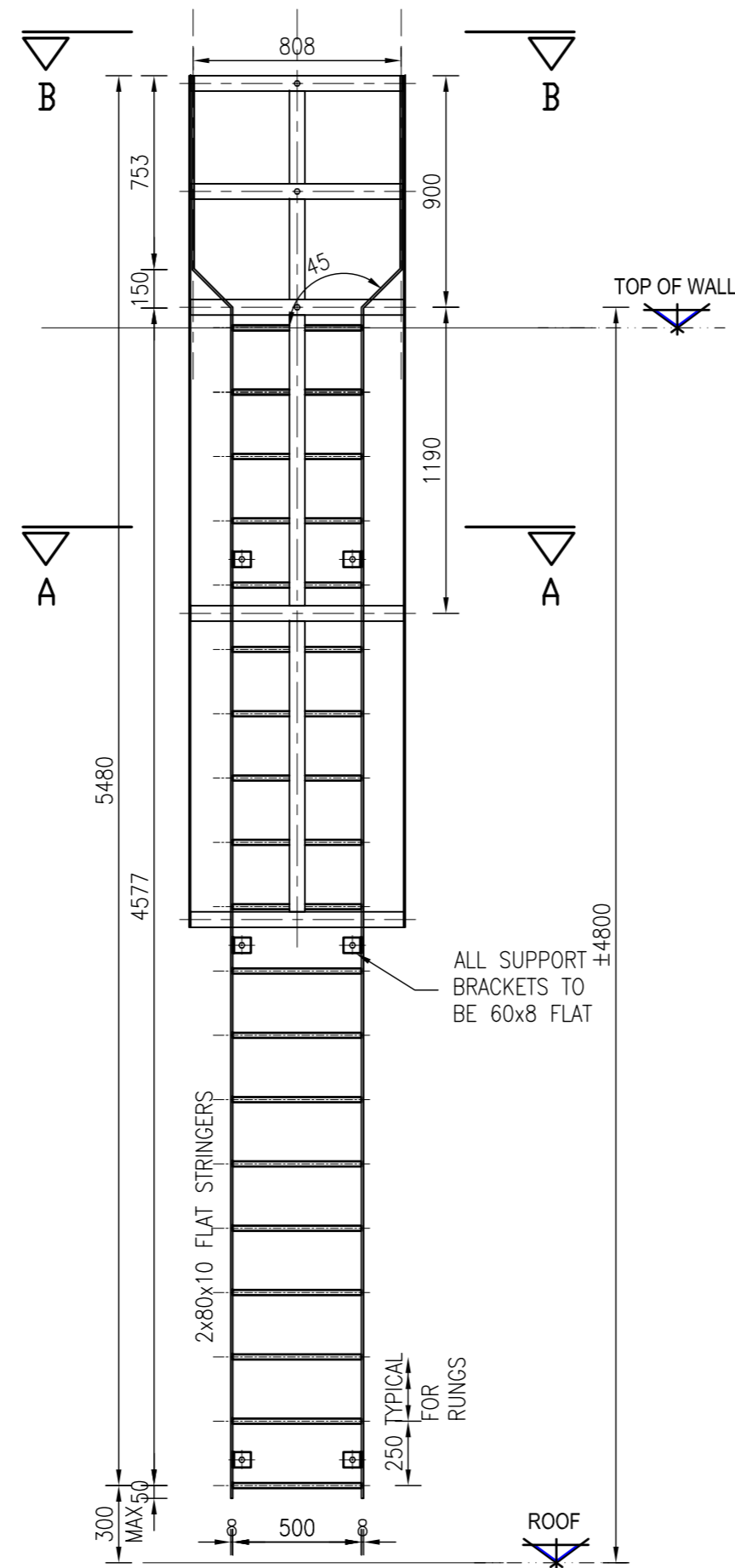
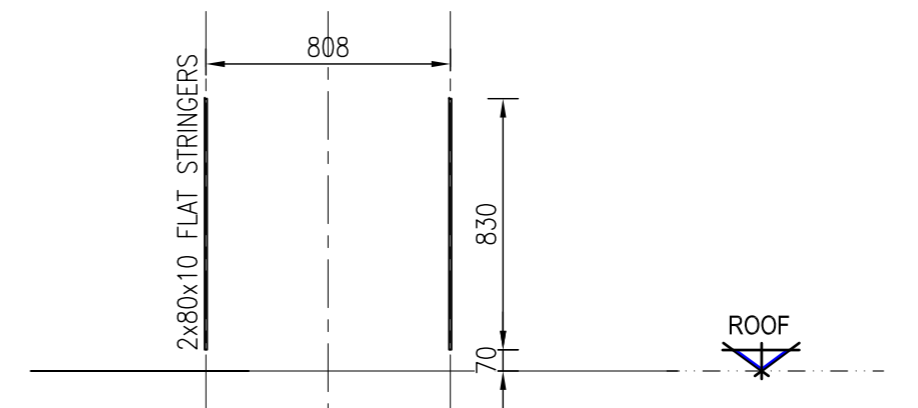


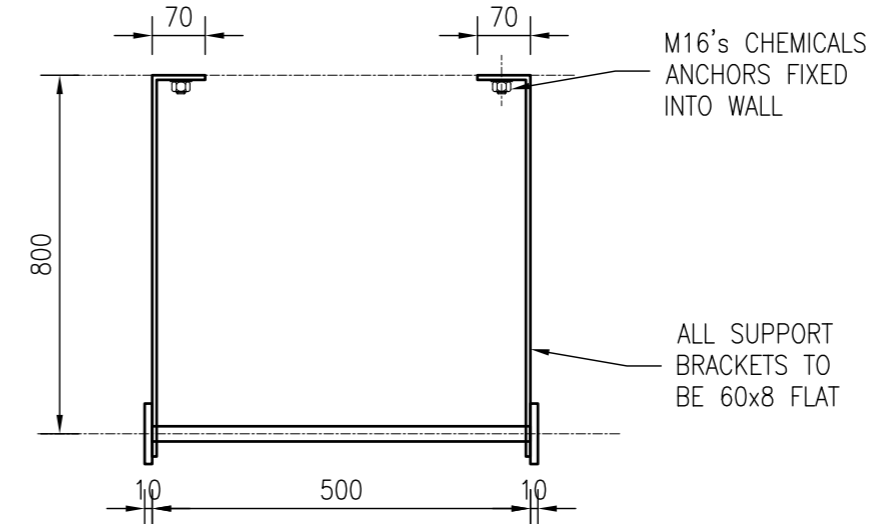
**TYPICAL ELEVATION**  
SCALE 1:25



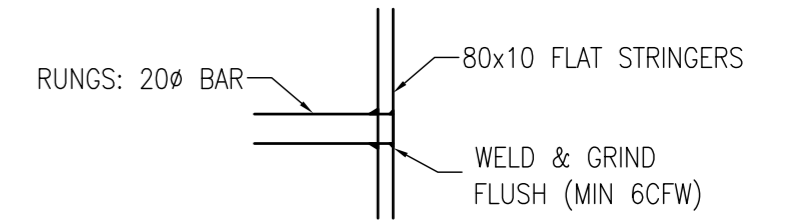
**RHS ELEVATION**  
SCALE 1:25



**LHS ELEVATION**  
SCALE 1:25



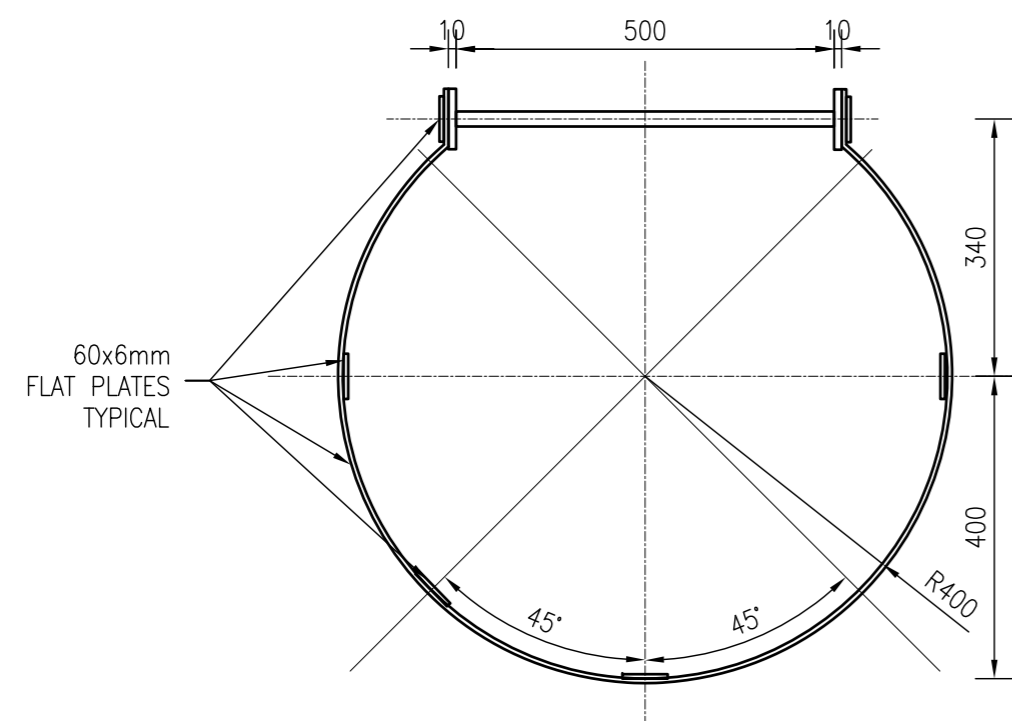
**TYPICAL SUPPORTING BRACKETS DETAIL**  
SCALE 1:10



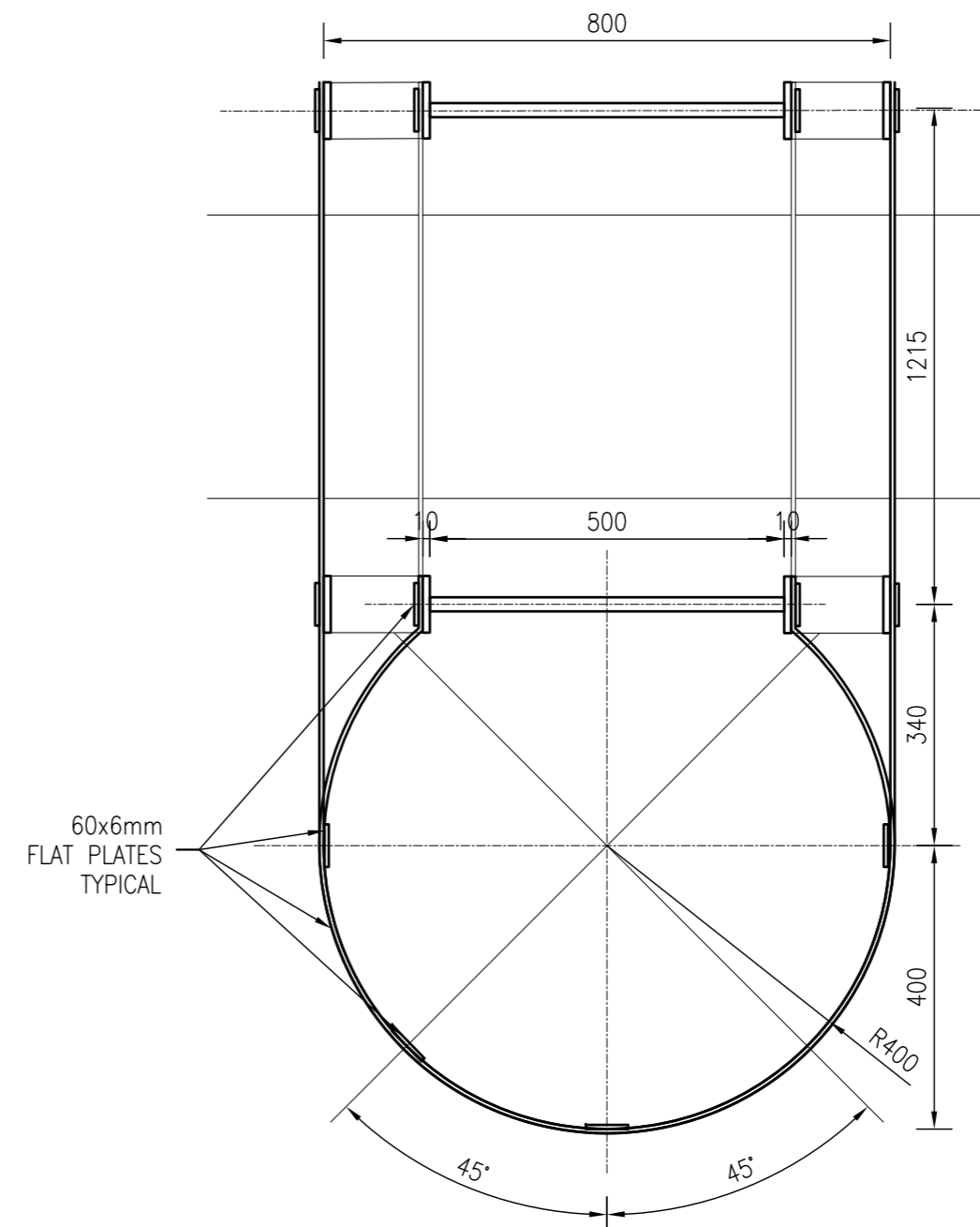
**TYPICAL RUNGS SECTION**  
SCALE 1:25



**KEY PLAN**



**SECTION A-A**  
SCALE 1:10



**SECTION B-B**  
SCALE 1:10

| NO       | DATE         | REVISION          |
|----------|--------------|-------------------|
| T        | 12. 03. 24   | ISSUED FOR TENDER |
|          |              |                   |
|          |              |                   |
|          |              |                   |
|          |              |                   |
| DESIGNER | C. GROBLER   | 12. 03. 24        |
| DETAILER | W. K. OLIVER | 12. 03. 24        |
|          |              | A2                |

**Ape**  
advisory services  
Civil Engineering • Structural Engineering • Project Management  
Tel + (27) 82 923 8349 andr@ajcadvizory.co.za  
35 Sabi Sands Crescent, Moreleta Park, Pretoria, 0181  
P.O. Box 11373, Erasmuskoof, 0048. Co Reg 2018/582047/07

PROJECT  
**CSIR  
BUILDING 43**

DRAWING TITLE  
**CAT LADDER 43A  
LAYOUT & DETAILS**

|                            |                            |                      |
|----------------------------|----------------------------|----------------------|
| PROJECT NO<br><b>24208</b> | DRAWING No<br><b>043-A</b> | REVISION<br><b>T</b> |
|----------------------------|----------------------------|----------------------|

THESE DRAWINGS ARE TO BE READ IN CONJUNCTION WITH ALL THE RELEVANT CONSULTANTS' DRAWINGS. ALL DIMENSIONS ARE TO BE READ AND NOT SCALED. ANY DISCREPANCIES ARE TO BE REPORTED TO THE PRINCIPAL AGENT IMMEDIATELY. THESE DRAWINGS ENJOY A COPYRIGHT WHICH VESTS IN CS STRUCTURAL DESIGN SERVICES UNLESS OTHERWISE AGREED TO IN WRITING. THESE DRAWINGS MAY NOT BE REPRODUCED OR TRANSMITTED IN ANY FORM OR BY ANY MEANS WHATSOEVER TO ANY PERSON WITHOUT THE WRITTEN PERMISSION OF THE COPYRIGHT HOLDER.

**TENDER**