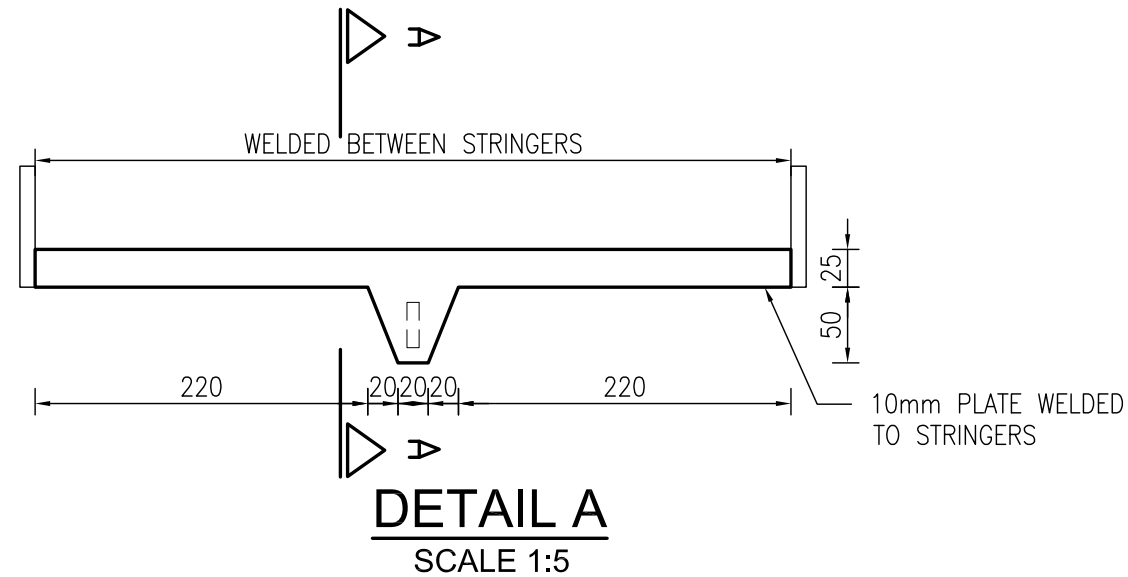
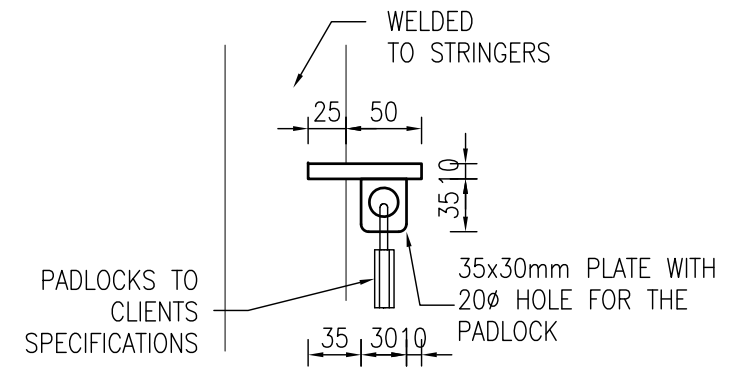


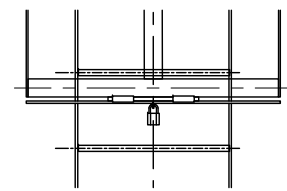
COMPLETE DOOR PLAN
SCALE 1:10



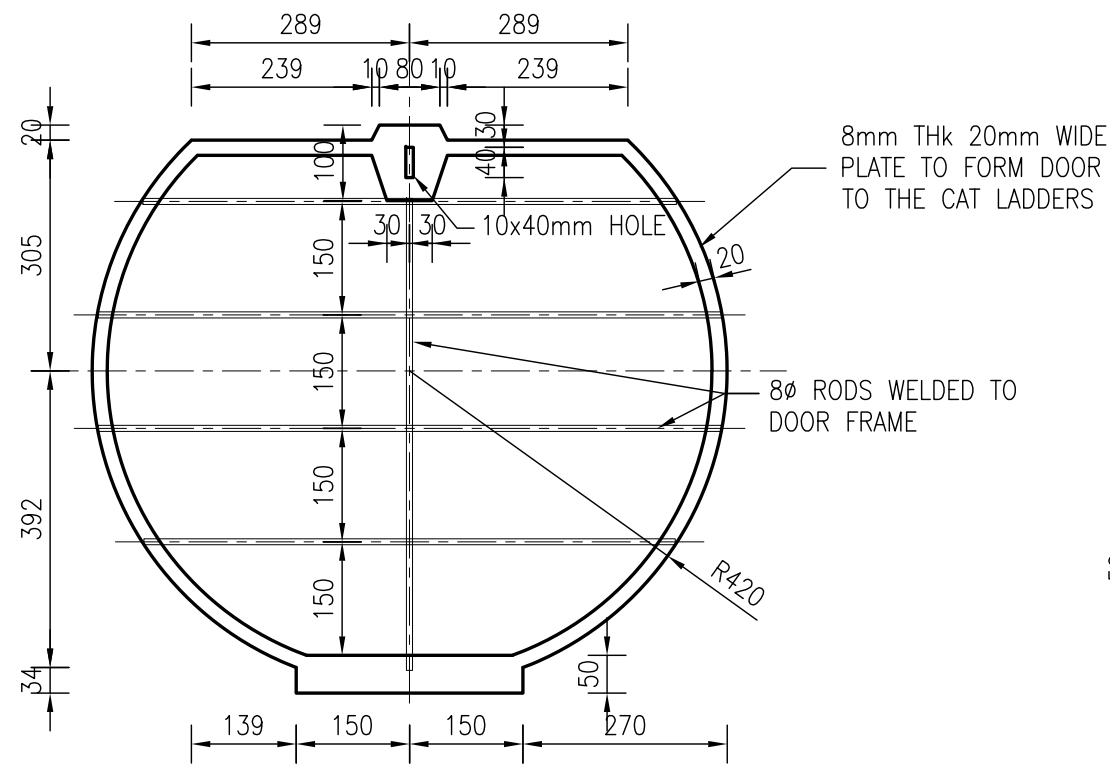
DETAIL A
SCALE 1:5



SECTION A-A
SCALE 1:5

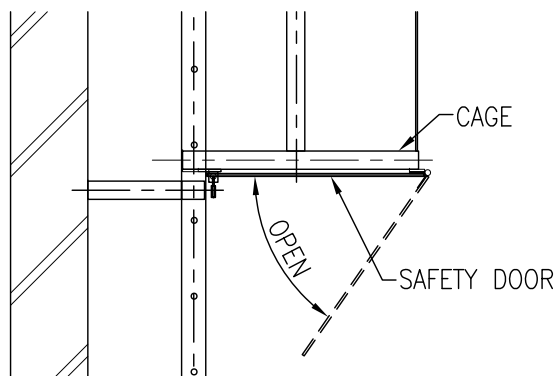


TYPICAL ELEVATION
SCALE 1:10

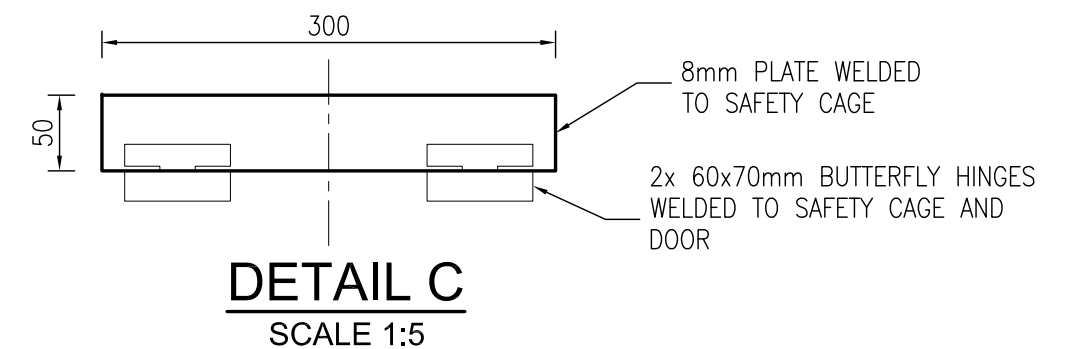


DETAIL B
SCALE 1:5

ALL CAT LADDERS WITH ACCESS TO GROUND LEVEL AND CAT LADDERS HIGHER THAN 5M TO RECEIVE THE LOCKABLE MECHANISM



TYPICAL SIDE ELEVATION
SCALE 1:25



DETAIL C
SCALE 1:5

TENDER

NO	DATE	REVISION
T	12. 03. 24	ISSUED FOR TENDER
DESIGNER C. GROBLER		
		12. 03. 24
DETAILER W. K. OLIVER		
		12. 03. 24
		A3

PROJECT
CSIR BUILDINGS

DRAWING TITLE		
CAT LADDERS - SAFETY DOOR LAYOUT AND DETAILS		
PROJECT NO 24208	DRAWING No 003-R	REVISION T
<small>THESE DRAWINGS ARE TO BE READ IN CONJUNCTION WITH ALL THE RELEVANT CONSULTANTS' DRAWINGS. ALL DIMENSIONS ARE TO BE READ AND NOT SCALED. ANY DISCREPANCIES ARE TO BE REPORTED TO THE PRINCIPAL AGENT IMMEDIATELY. THESE DRAWINGS ENJOY A COPYRIGHT WHICH VESTS IN CG STRUCTURAL DESIGN SERVICES UNLESS OTHERWISE AGREED TO IN WRITING. THESE DRAWINGS MAY NOT BE REPRODUCED OR TRANSMITTED IN ANY FORM OR BY ANY MEANS WHATSOEVER TO ANY PERSON WITHOUT THE WRITTEN PERMISSION OF THE COPYRIGHT HOLDER.</small>		