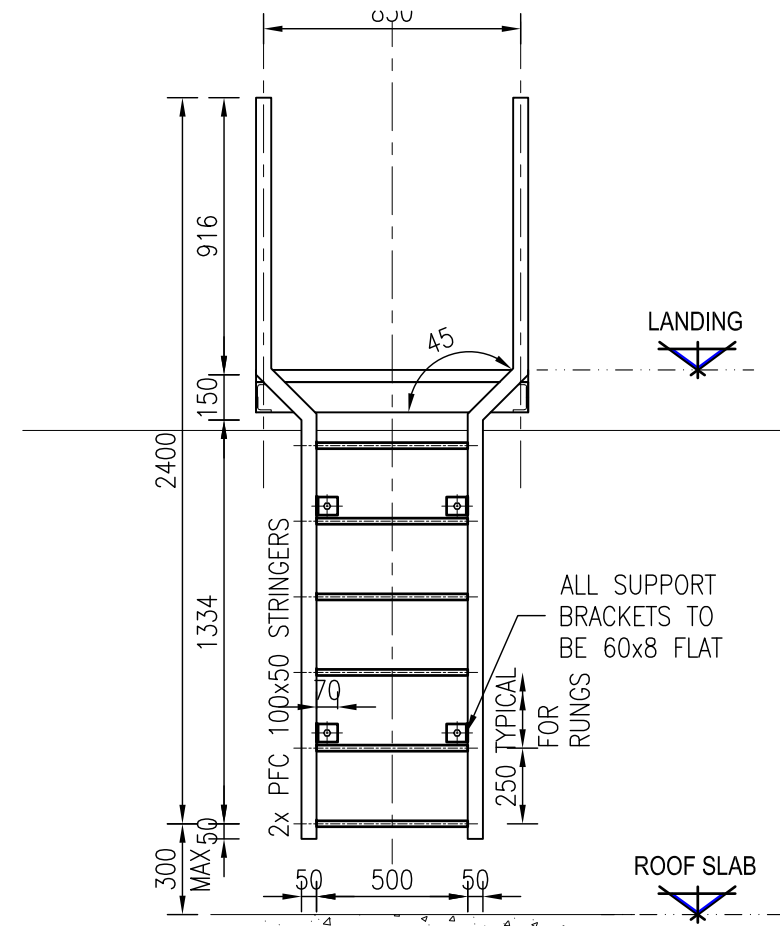


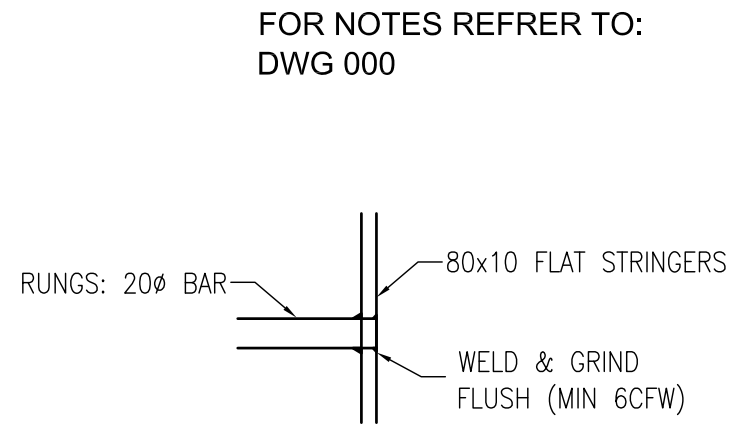
LANDING:
RS40 "MENTIS" FIXED TO
TO PFC 100x50 BEAMS ALL ROUND
WITH 40x40x3 ANGLES WELDED
TO BEAM ALL AROUND

PLAN
SCALE 1:25

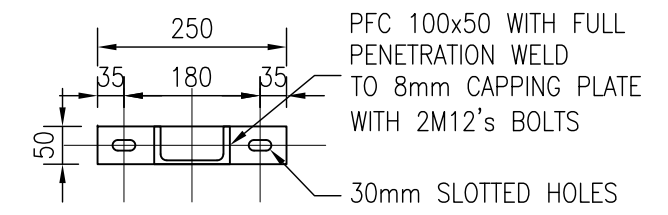


ALL SUPPORT
BRACKETS TO
BE 60x8 FLAT

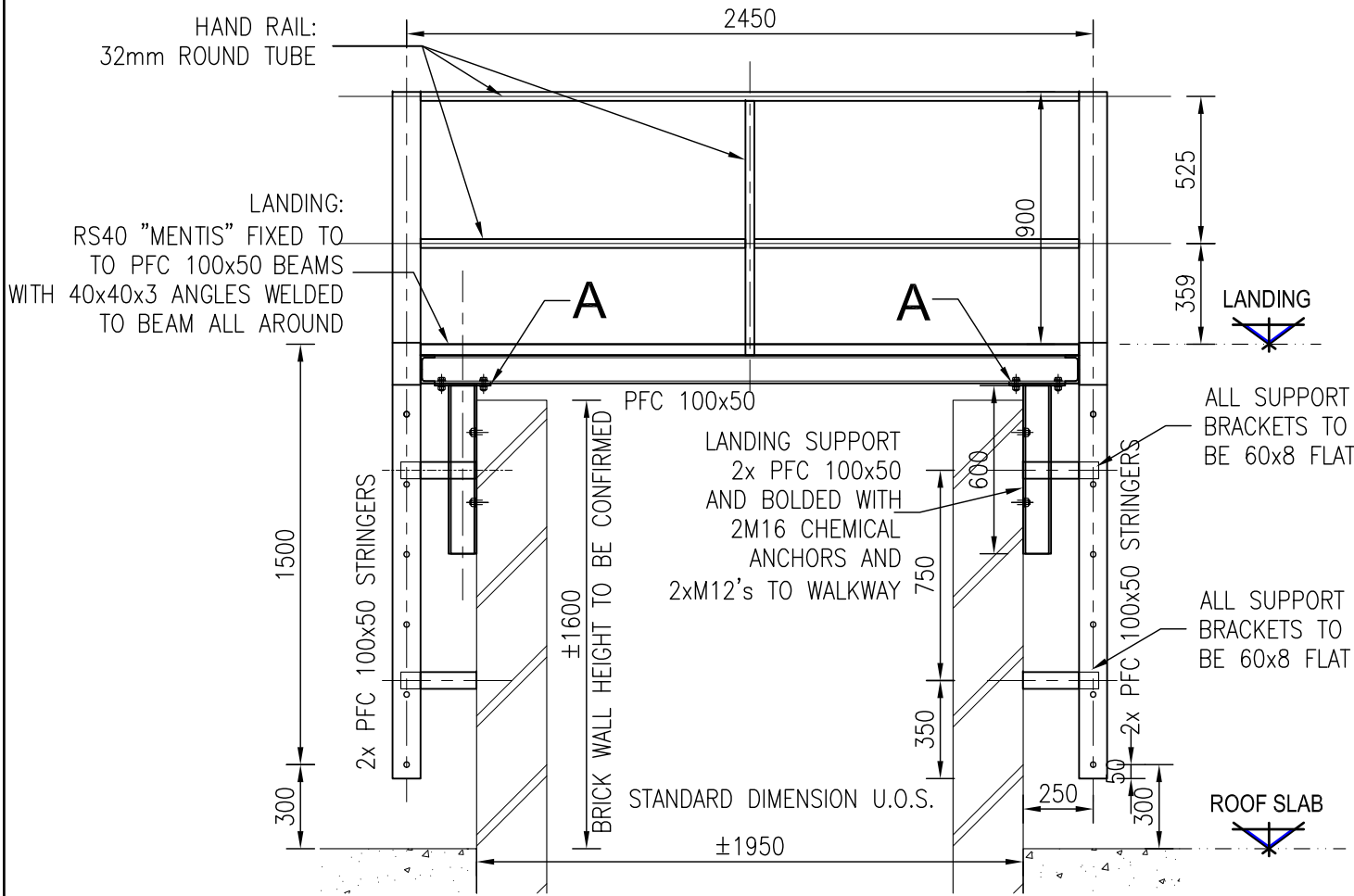
TYPICAL ELEVATION
SCALE 1:25



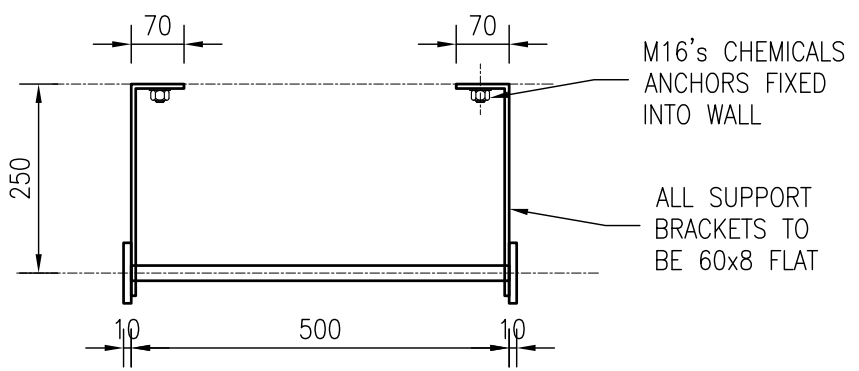
**TYPICAL RUNGS
SECTION**
SCALE 1:25



**TYPICAL CAPPING
PLATE A
(4 No. OFF)**
SCALE 1:10



SECTION A-A
SCALE 1:25



**TYPICAL SUPPORTING
BRACKETS DETAIL**
SCALE 1:10



KEY PLAN

TENDER

Civil Engineering • Structural Engineering • Project Management

Tel: + (27) 82 923 8349 andrej@aicadvisory.co.za
35 Sabi Sands Crescent, Moreleta Park, Pretoria, 0181
P.O. Box 11373, Erasmuskloof, 0048. Co Reg: 2018/582047/07

NO	DATE	REVISION
T	12. 03. 24	ISSUED FOR TENDER
DESIGNER C. GROBLER 12. 03. 24		
DETAILER W. K. OLIVER 12. 03. 24		
		A3

PROJECT
**CSIR
BUILDING 9**

DRAWING TITLE CAT LADDER 9A LAYOUT AND DETAILS		
PROJECT NO 24208	DRAWING No 009-A	REVISION T
<small>THESE DRAWINGS ARE TO BE READ IN CONJUNCTION WITH ALL THE RELEVANT CONSULTANTS' DRAWINGS. ALL DIMENSIONS ARE TO BE READ AND NOT SCALED. ANY DISCREPANCIES ARE TO BE REPORTED TO THE PRINCIPAL AGENT IMMEDIATELY. THESE DRAWINGS ENJOY A COPYRIGHT WHICH VESTS IN CG STRUCTURAL DESIGN SERVICES UNLESS OTHERWISE AGREED TO IN WRITING. THESE DRAWINGS MAY NOT BE REPRODUCED OR TRANSMITTED IN ANY FORM OR BY ANY MEANS WHATSOEVER TO ANY PERSON WITHOUT THE WRITTEN PERMISSION OF THE COPYRIGHT HOLDER.</small>		