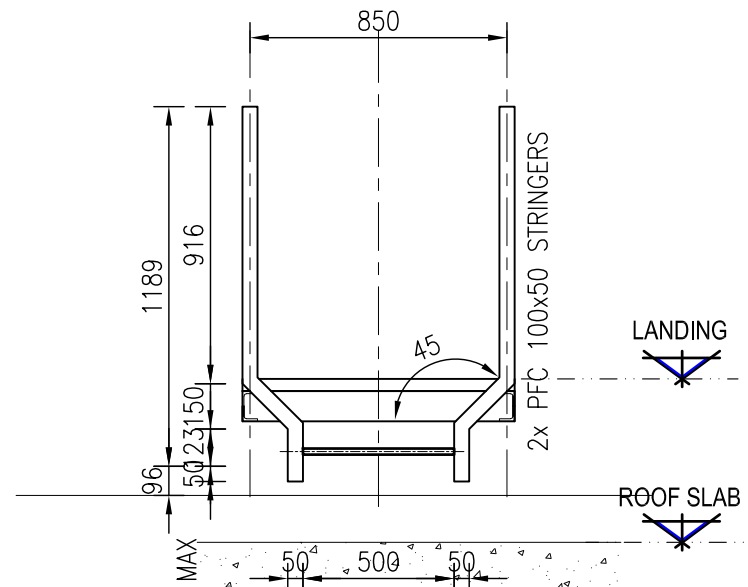
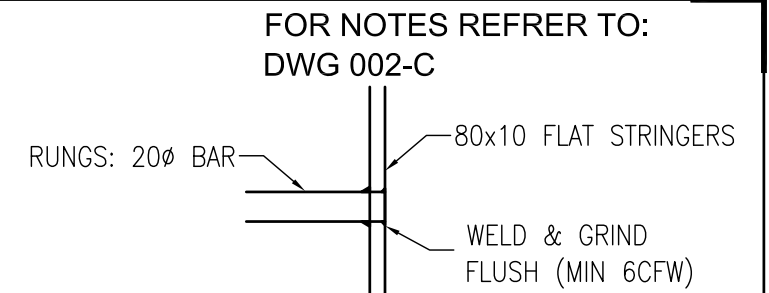


LANDING:
RS40 "MENTIS" FIXED TO
TO PFC 100x50 BEAMS ALL ROUND
WITH 40x40x3 ANGLES WELDED
TO BEAM ALL AROUND

PLAN
SCALE 1:25

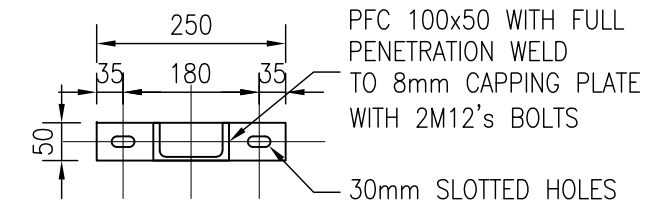


RHS ELEVATION
SCALE 1:25



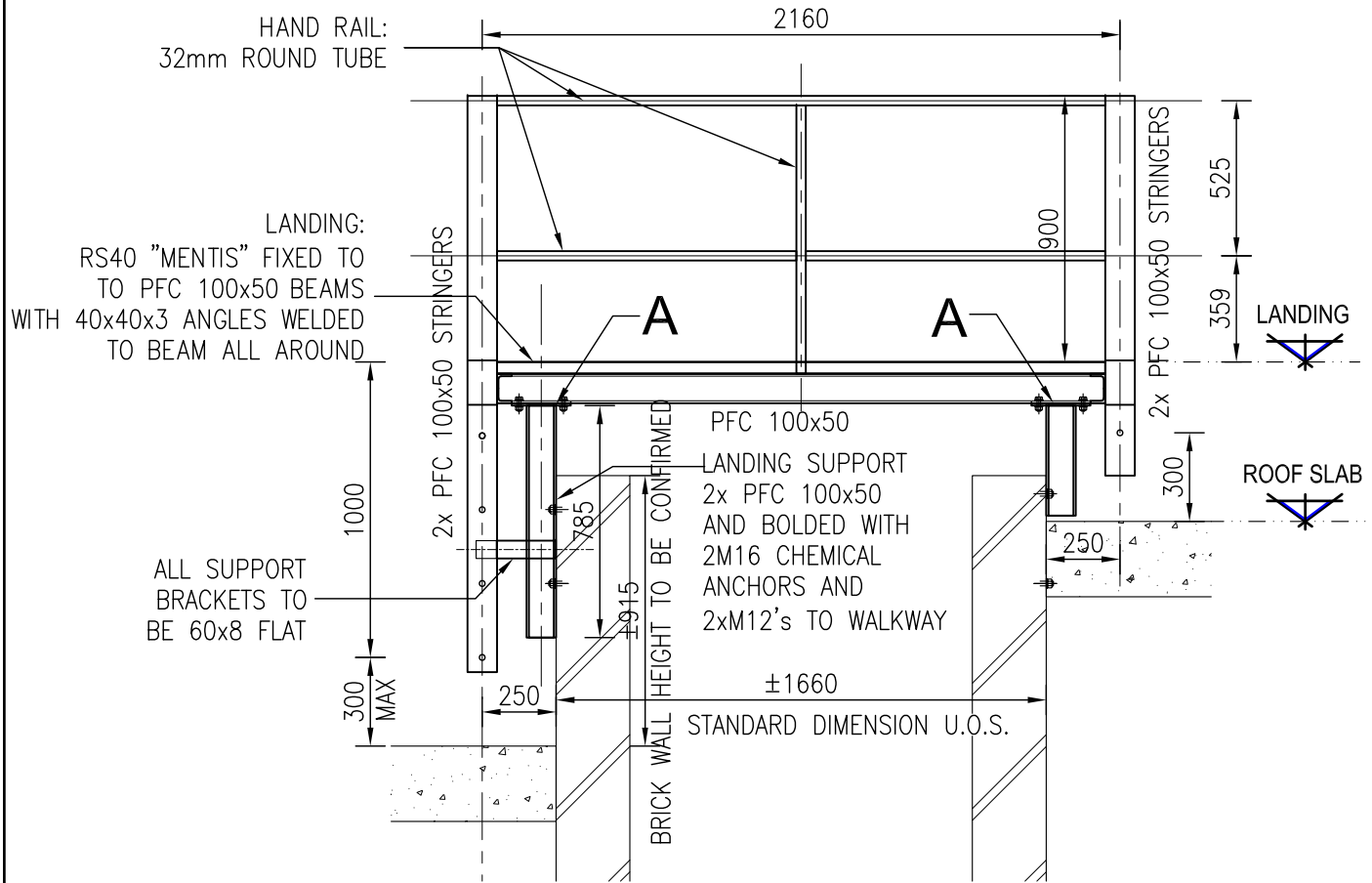
TYPICAL RUNGS SECTION

SCALE 1:25

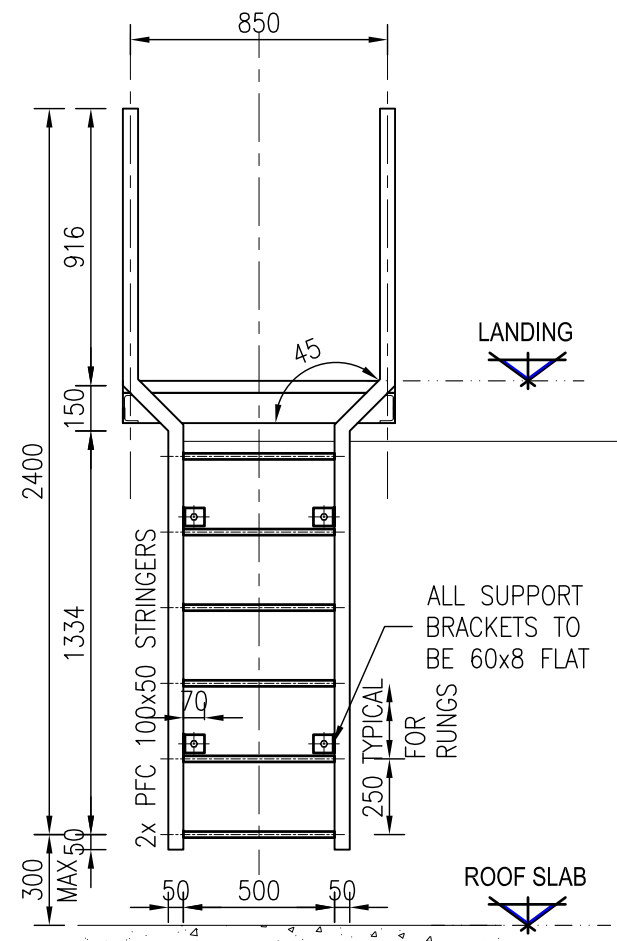


TYPICAL CAPPING PLATE A
(4 No. OFF)

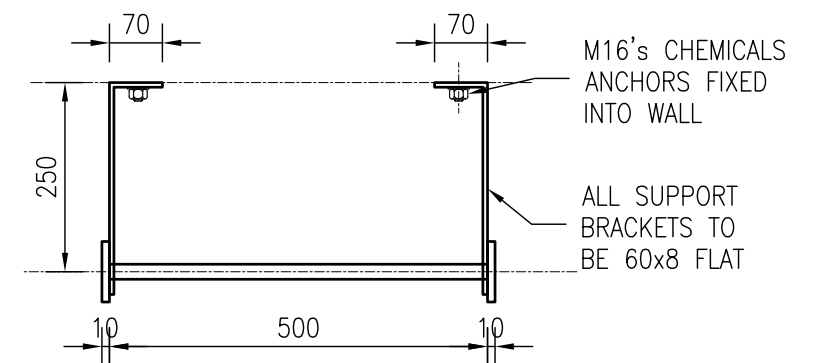
SCALE 1:10



SECTION A-A
SCALE 1:25

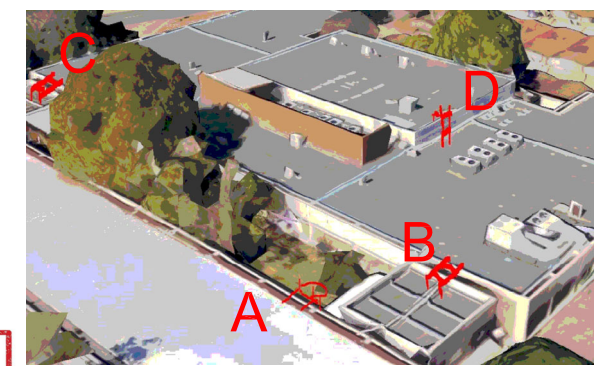


LHS ELEVATION
SCALE 1:25



TYPICAL SUPPORTING BRACKETS DETAIL

SCALE 1:10



KEY PLAN

TENDER



Civil Engineering • Structural Engineering • Project Management

Tel: + (27) 82 923 8349 andrej@aicadvisory.co.za
35 Sabi Sands Crescent, Moreleta Park, Pretoria, 0181
P.O. Box 11373, Erasmuskloof, 0048. Co Reg: 2018/582047/07

NO	DATE	REVISION
T	12. 03. 24	ISSUED FOR TENDER
DESIGNER		
C. GROBLER	12. 03. 24	
DETAILER		
W. K. OLIVER	12. 03. 24	A3

PROJECT
CSIR BUILDING 9

DRAWING TITLE
CAT LADDER 9B LAYOUT AND DETAILS

PROJECT NO
24208

DRAWING No
009-B

REVISION
T

THESE DRAWINGS ARE TO BE READ IN CONJUNCTION WITH ALL THE RELEVANT CONSULTANTS' DRAWINGS. ALL DIMENSIONS ARE TO BE READ AND NOT SCALED. ANY DISCREPANCIES ARE TO BE REPORTED TO THE PRINCIPAL AGENT IMMEDIATELY. THESE DRAWINGS ENJOY A COPYRIGHT WHICH VESTS IN CG STRUCTURAL DESIGN SERVICES UNLESS OTHERWISE AGREED TO IN WRITING. THESE DRAWINGS MAY NOT BE REPRODUCED OR TRANSMITTED IN ANY FORM OR BY ANY MEANS WHATSOEVER TO ANY PERSON WITHOUT THE WRITTEN PERMISSION OF THE COPYRIGHT HOLDER.