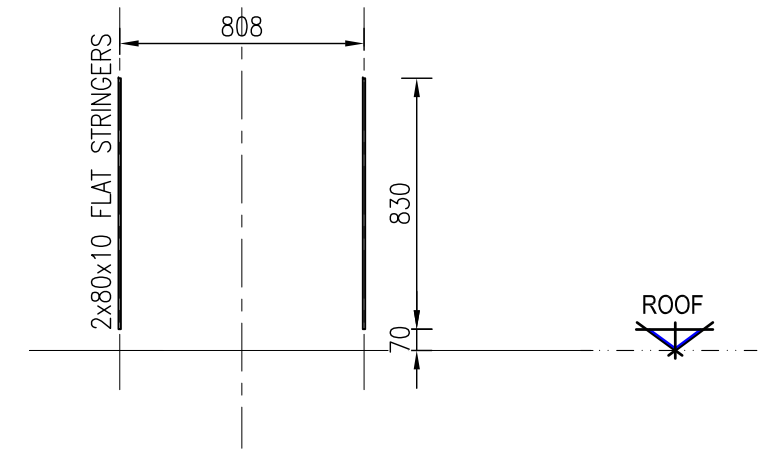
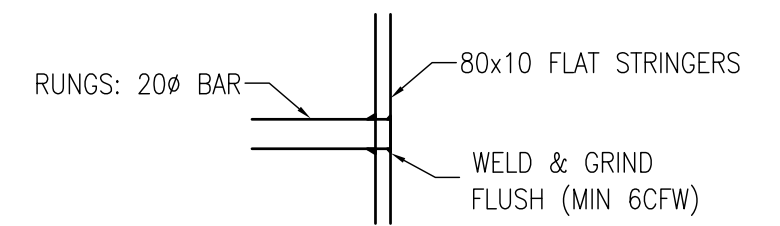


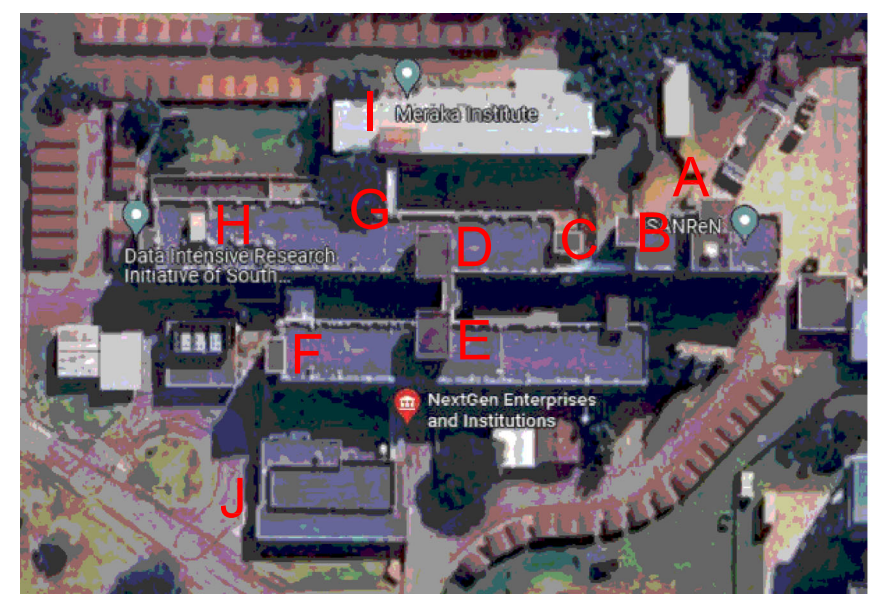
FOR NOTES REFER TO:
DWG 000



LHS ELEVATION
SCALE 1:25

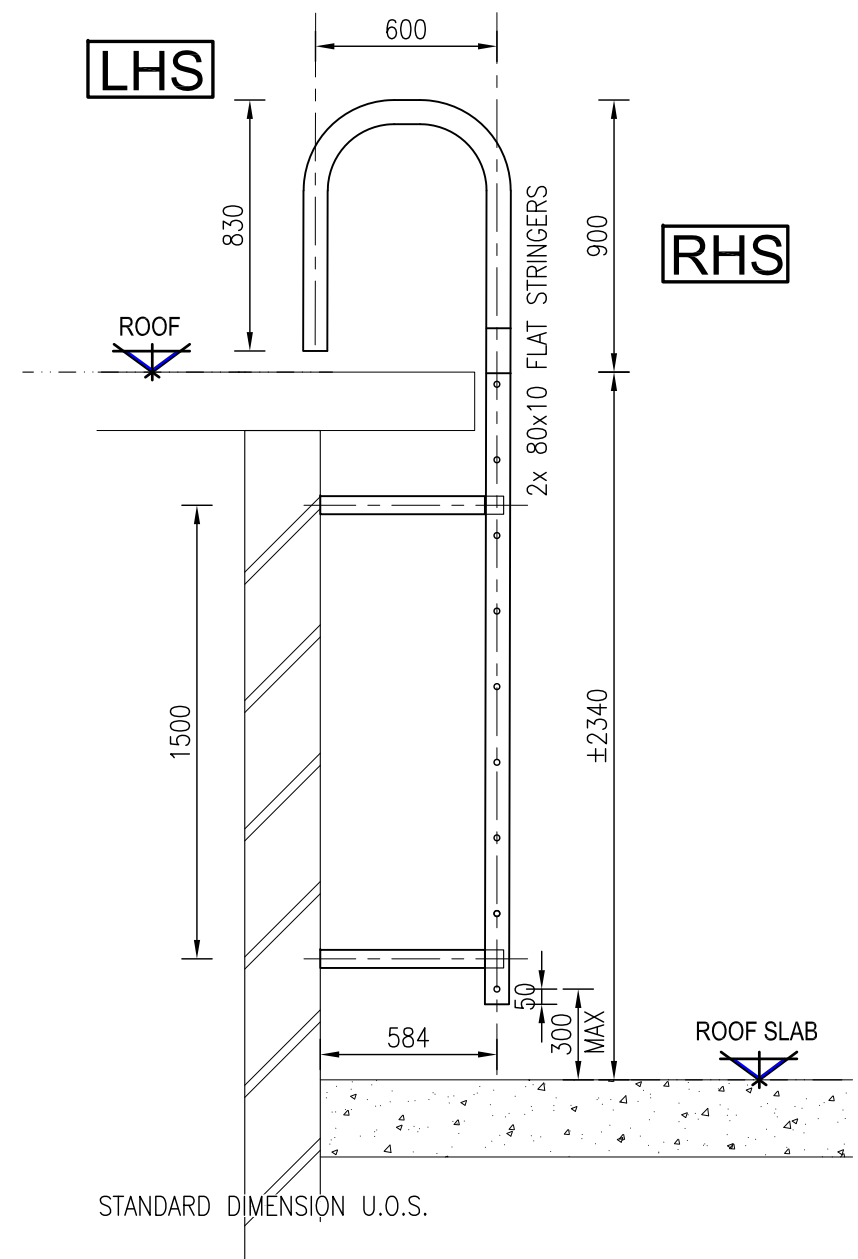


TYPICAL RUNGS SECTION
SCALE 1:25

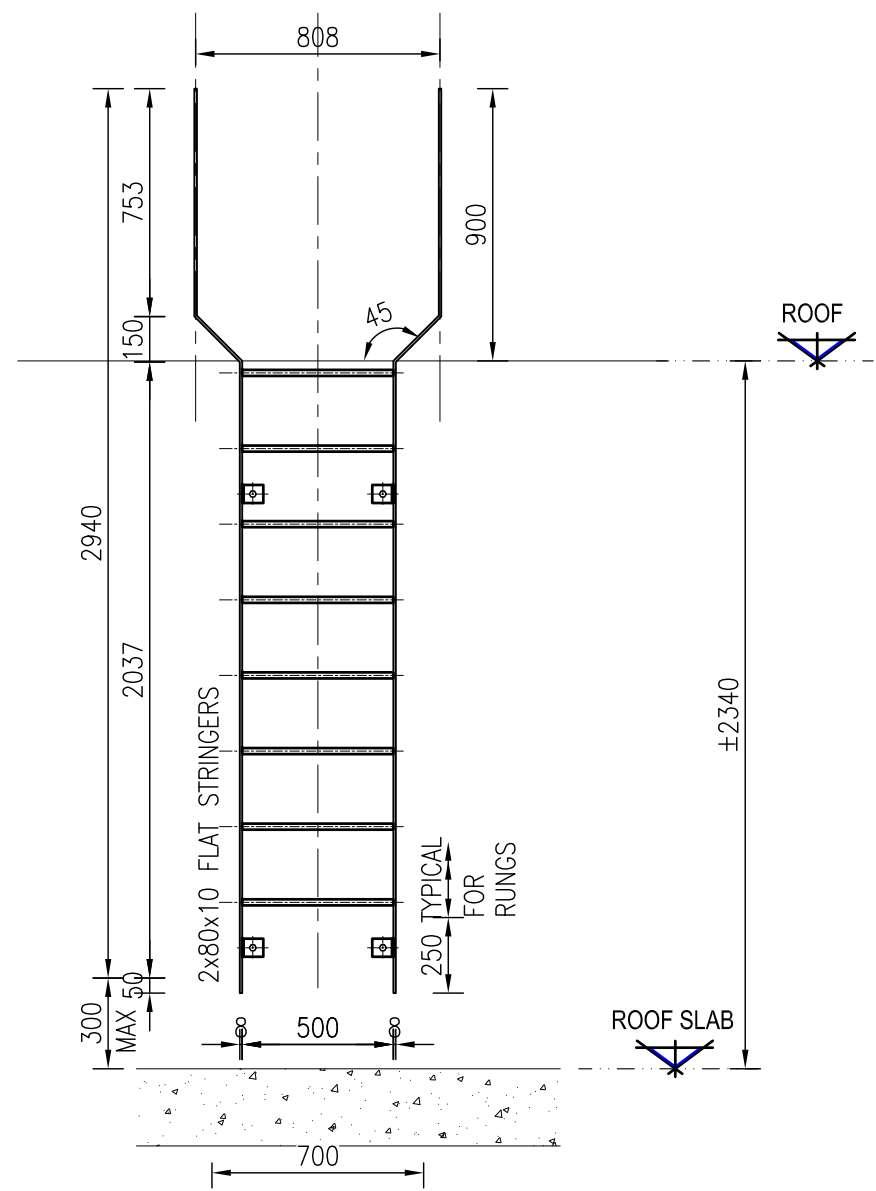


KEY PLAN

TENDER



TYPICAL ELEVATION
SCALE 1:25



RHS ELEVATION
SCALE 1:25

Civil Engineering • Structural Engineering • Project Management

Tel + (27) 82 923 8349 andrej@ajcadvisory.co.za
35 Sabi Sands Crescent, Moreleta Park, Pretoria, 0181
P.O. Box 11373, Erasmuskoof, 0048. Co Reg: 2018/582047/07

NO	DATE	REVISION
T	12. 03. 24	ISSUED FOR TENDER
DESIGNER		
C. GROBLER	12. 03. 24	
DETAILER		
W. K. OLIVER	12. 03. 24	A3

PROJECT

CSIR BUILDING 43

DRAWING TITLE

CAT LADDER 43F LAYOUT AND DETAILS

PROJECT NO 24208	DRAWING No 043-F	REVISION T
----------------------------	----------------------------	----------------------

THESE DRAWINGS ARE TO BE READ IN CONJUNCTION WITH ALL THE RELEVANT CONSULTANTS' DRAWINGS. ALL DIMENSIONS ARE TO BE READ AND NOT SCALED. ANY DISCREPANCIES ARE TO BE REPORTED TO THE PRINCIPAL AGENT IMMEDIATELY. THESE DRAWINGS ENJOY A COPYRIGHT WHICH VESTS IN CS STRUCTURAL DESIGN SERVICES UNLESS OTHERWISE AGREED TO IN WRITING. THESE DRAWINGS MAY NOT BE REPRODUCED OR TRANSMITTED IN ANY FORM OR BY ANY MEANS WHATSOEVER TO ANY PERSON WITHOUT THE WRITTEN PERMISSION OF THE COPYRIGHT HOLDER.