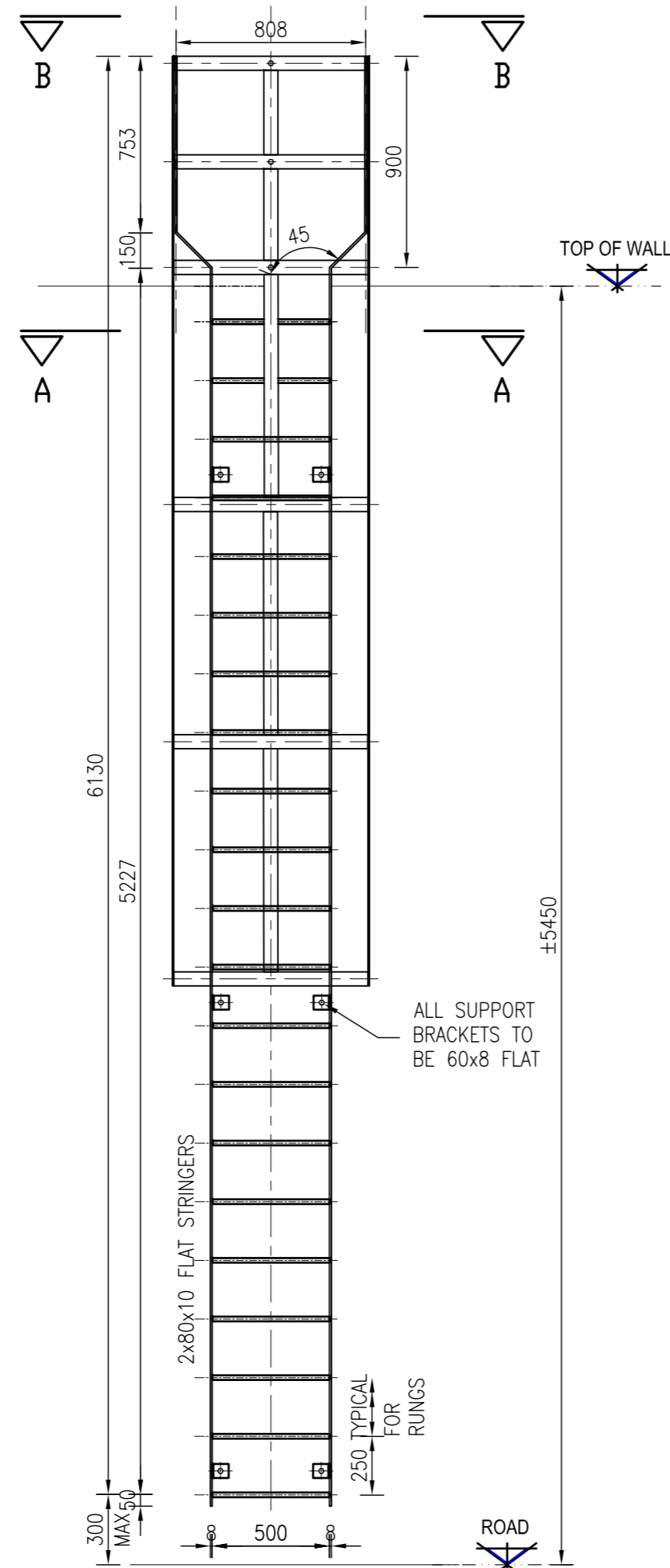
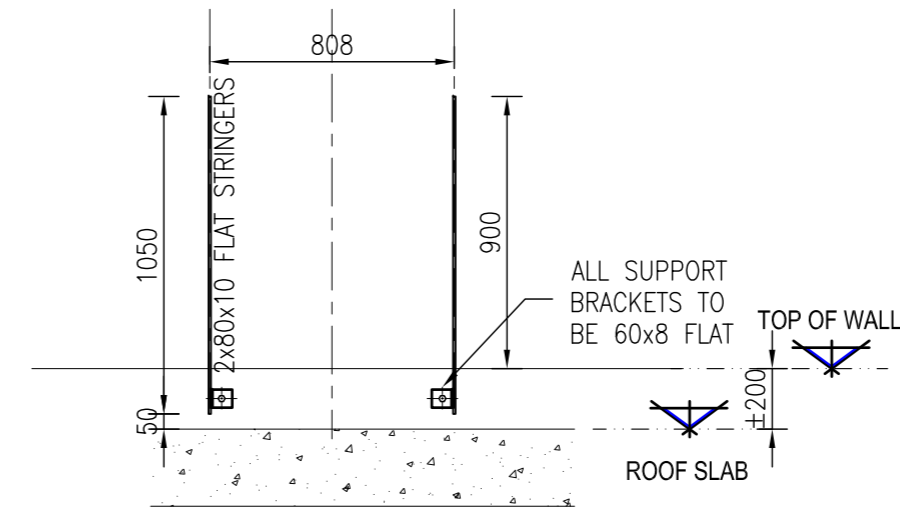


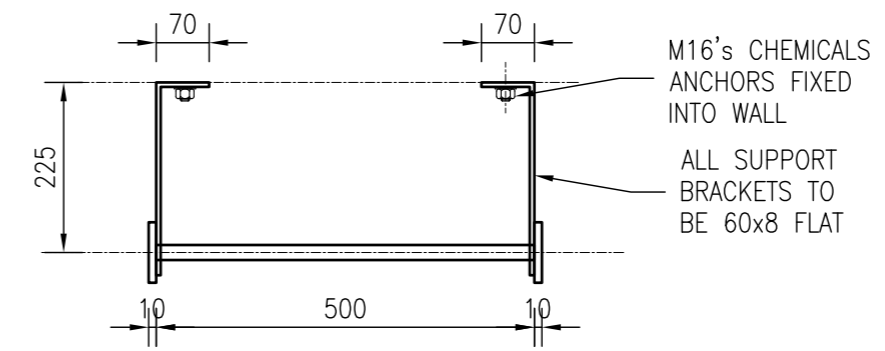
TYPICAL ELEVATION
SCALE 1:25



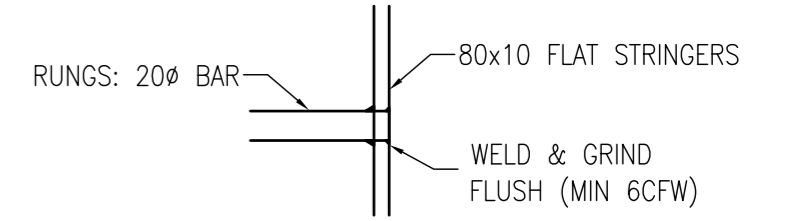
RHS ELEVATION
SCALE 1:25



LHS ELEVATION
SCALE 1:25



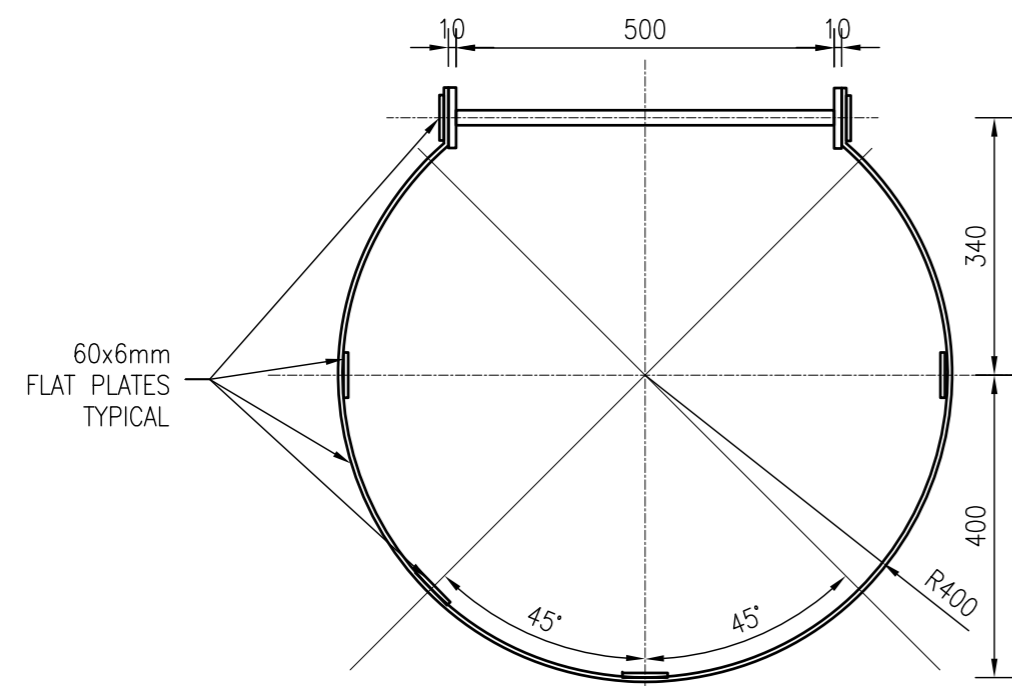
TYPICAL SUPPORTING BRACKETS DETAIL
SCALE 1:10



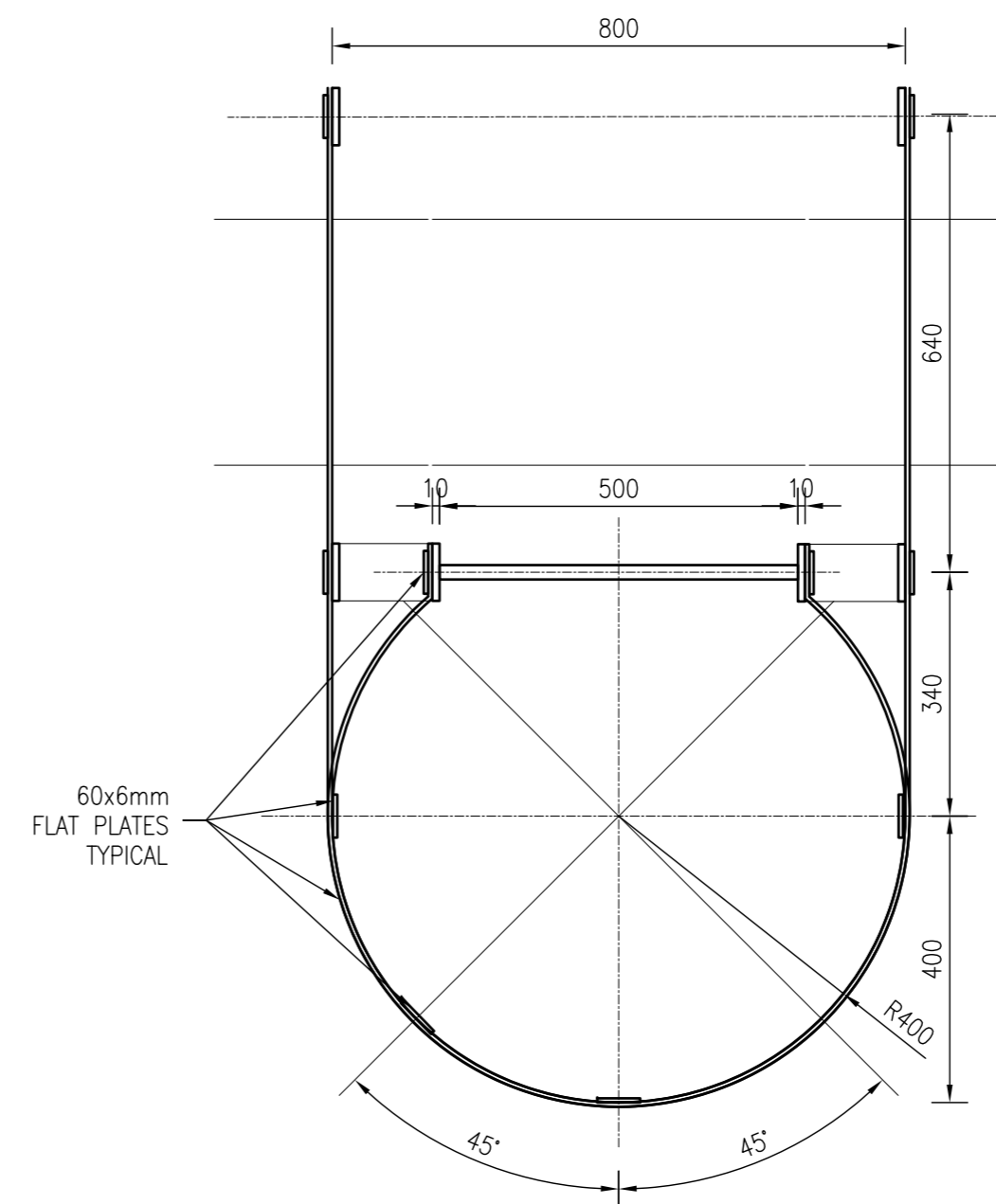
TYPICAL RUNGS SECTION
SCALE 1:25



KEY PLAN



SECTION A-A
SCALE 1:10



SECTION B-B
SCALE 1:10

TENDER

NO	DATE	REVISION
T	12. 03. 24	ISSUED FOR TENDER
DESIGNER	C. GROBLER	12. 03. 24
DETAILER	W. K. OLIVER	12. 03. 24
		A2

Ape
advisory services
Civil Engineering • Structural Engineering • Project Management
Tel + (27) 82 923 8349 andrej@apeadvisory.co.za
35 Sabi Sands Crescent, Moreleta Park, Pretoria, 0181
P.O. Box 11373, Erasmuskloof, 0048. Co Reg: 2018/582047/07

PROJECT
CSIR BUILDING 43

DRAWING TITLE
CAT LADDER 43J LAYOUT & DETAILS

PROJECT NO	DRAWING No	REVISION
24208	043-J	T

THESE DRAWINGS ARE TO BE READ IN CONJUNCTION WITH ALL THE RELEVANT CONSULTANTS' DRAWINGS. ALL DIMENSIONS ARE TO BE READ AND NOT SCALED. ANY DISCREPANCIES ARE TO BE REPORTED TO THE PRINCIPAL AGENT IMMEDIATELY. THESE DRAWINGS ENJOY A COPYRIGHT WHICH VESTS IN CS STRUCTURAL DESIGN SERVICES UNLESS OTHERWISE AGREED TO IN WRITING. THESE DRAWINGS MAY NOT BE REPRODUCED OR TRANSMITTED IN ANY FORM OR BY ANY MEANS WHATSOEVER TO ANY PERSON WITHOUT THE WRITTEN PERMISSION OF THE COPYRIGHT HOLDER.