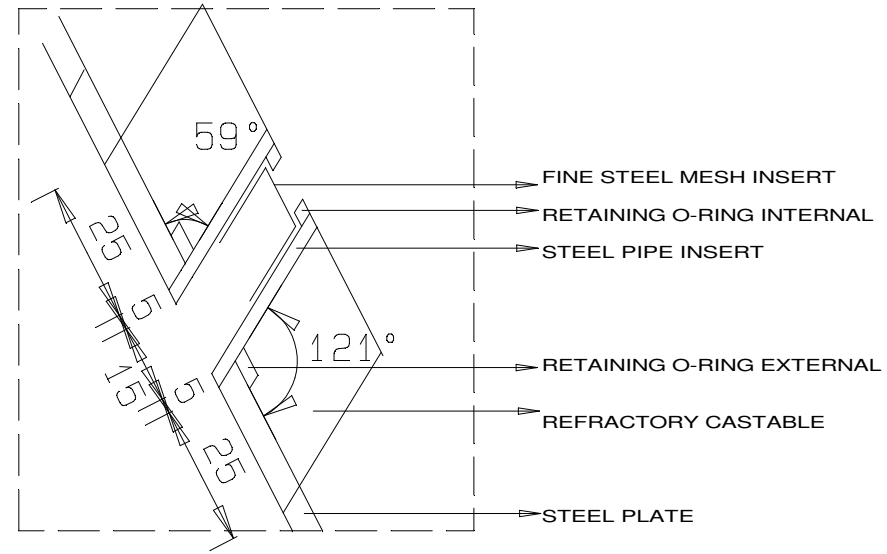


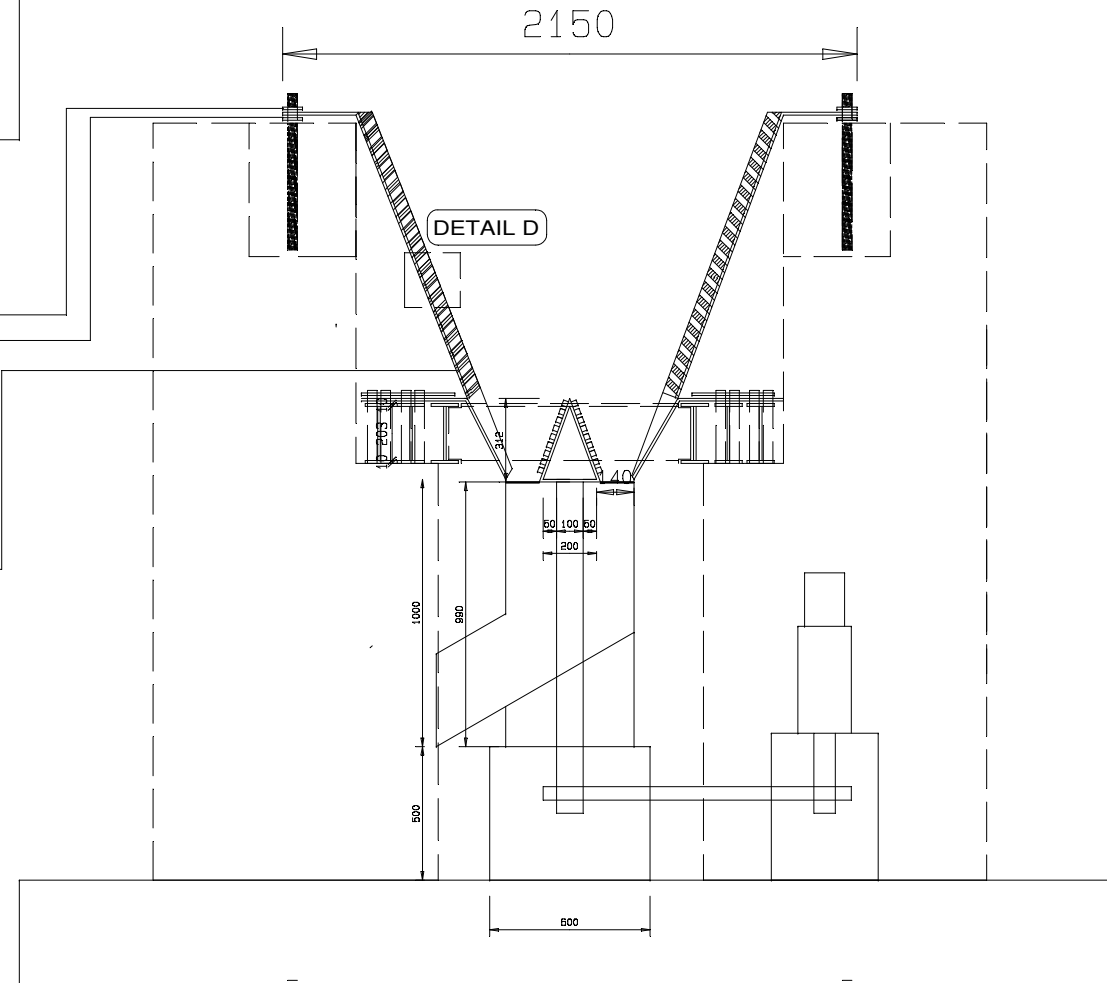
**TOP TAPERED RECTANGULAR
SCREEN ON GEO.POLY CONCRETE
BEAM SUPPORT**

- TOP RING PLATE
- BOTTOM RING PLATE
- TAPERED RECTANGULAR SCREEN MESH CHUTE

DETAIL D



- FINE STEEL MESH INSERT
- RETAINING O-RING INTERNAL
- STEEL PIPE INSERT
- RETAINING O-RING EXTERNAL
- REFRACTORY CASTABLE
- STEEL PLATE



SECTION A-A

Drawing specifications:
As per engineers specifications

Foundation :

Reinforcement:

Steel Rebar : 40mm diameter threaded rebar through 10mm ring plate. Fastener spacing to engineer specification

Ring Assembly:
(Bottom) 10mm X 75mm steel ring plate
(Middle) 10mm screen mesh
(Top) 10mm X 75mm steel ring plate

The assembly is fastened using 36mm threaded rebars & nuts.

**VERTICAL SHAFT
KILN**

DR J Mapiravana

**TAPERED RECTANGULAR
SCREEN MESH
ON REINFORCED
(GEOPLYMER
CONCRETE)BEAM
WITH KILN DISCHARGE
MECHANISM
DRAWING NO. 03**

PLAN
SCALE 1:10
DETAIL D 1:1

SECTION A-A
SCALE 1:10